

Parts catalogue

Prins Trike

Issued May 2016
Prins Maasdijk



Prins Maasdijk

TABLE OF CONTENTS

	<i>Page</i>
REMARKS	3
1 – SHEET METAL	4
2 – STEERING COLUMN	6
3 – DRIVE TRAIN ASSEMBLY	8
4 – DRIVE TRAIN	10
4A – DRIVE TRAIN FROM SN 82161	12
5 – AIR MANAGEMENT	14
6 – FUEL SYSTEM	16
7 – THROTTLE AND BRAKE CONNECTION	18
8 – FORKLIFT MAST	20
9A – INTEGRATED SIDE-SHIFT	22
9B – SIDE SHIFT ATTACHED FORK POSITIONER	24
10 – STEERING AXLE & BALLAST ASSEMBLY	26
11 – RIMS & TIRES	28
12A – HYDRAULIC DRIVE MOTORS PART 1	30
12B – HYDRAULIC DRIVE MOTORS PART 2	32
13 – HYDRAULIC OIL COOLER	34
14 – HYDRAULIC LIFTING	36
15 – HYDRAULIC TILT CYLINDERS	38
16 – HYDRAULIC CONTROL INSTALLATION	40
17 – STEERING AXLE	42
18 – LIGHTING & ELECTRICAL	44
APPENDIX 1 – MAINTENANCE KITS	46
APPENDIX 2 – KUBOTA ENGINE– M.31105.2	47

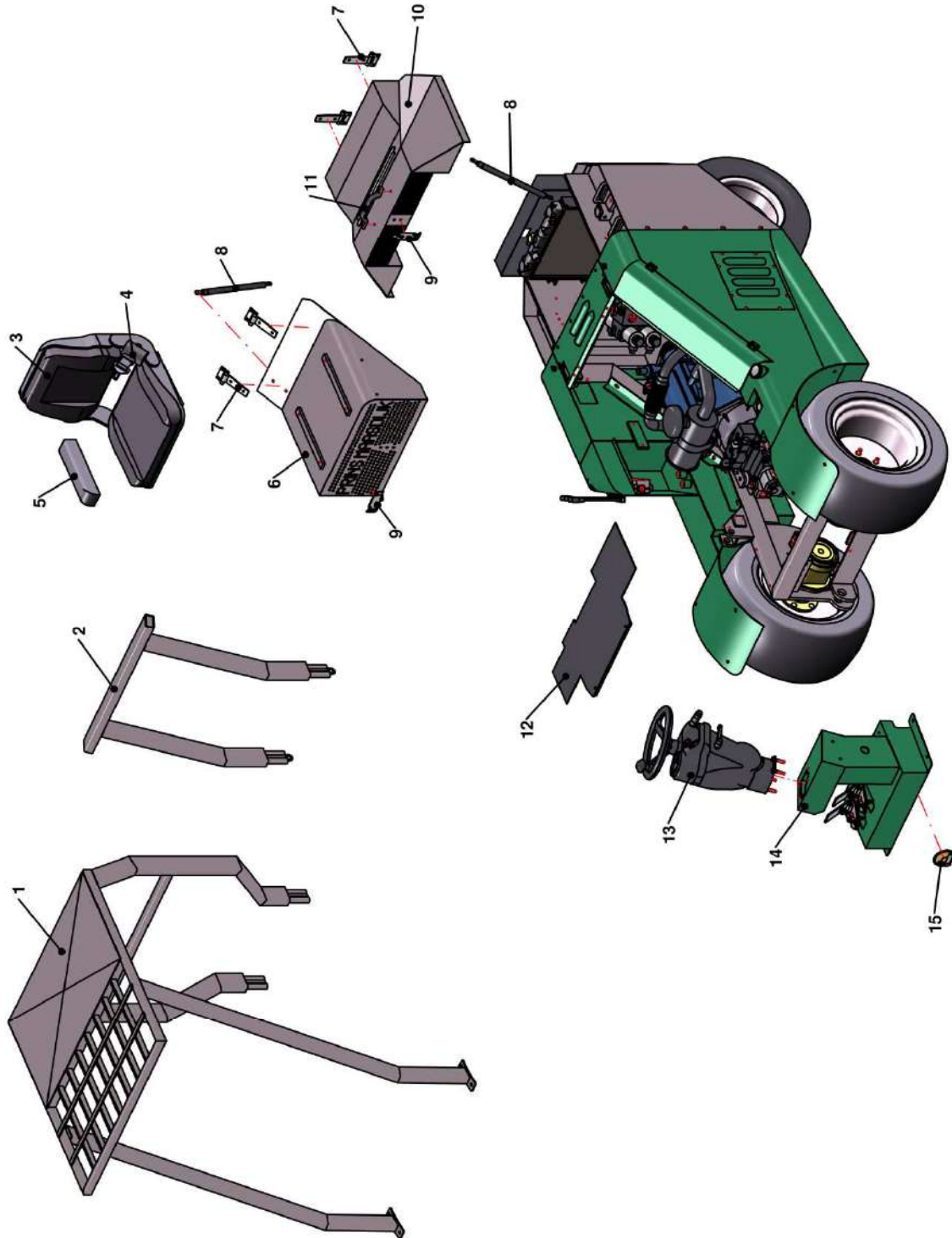
REMARKS

- Use this parts catalogue when ordering parts.
- Always state the serial number and the service number of the forklift. These numbers are embossed on the type plate on the dashboard of the forklift.
- When ordering parts, always state the correct part number and description.
- Some parts are only available as complete units, which is why no part number is given.
- This parts catalogue is subject to change without notification.

Prins Mechanisatie
Tuindersweg 37
2676 BD Maasdijk
The Netherlands



1 – SHEET METAL



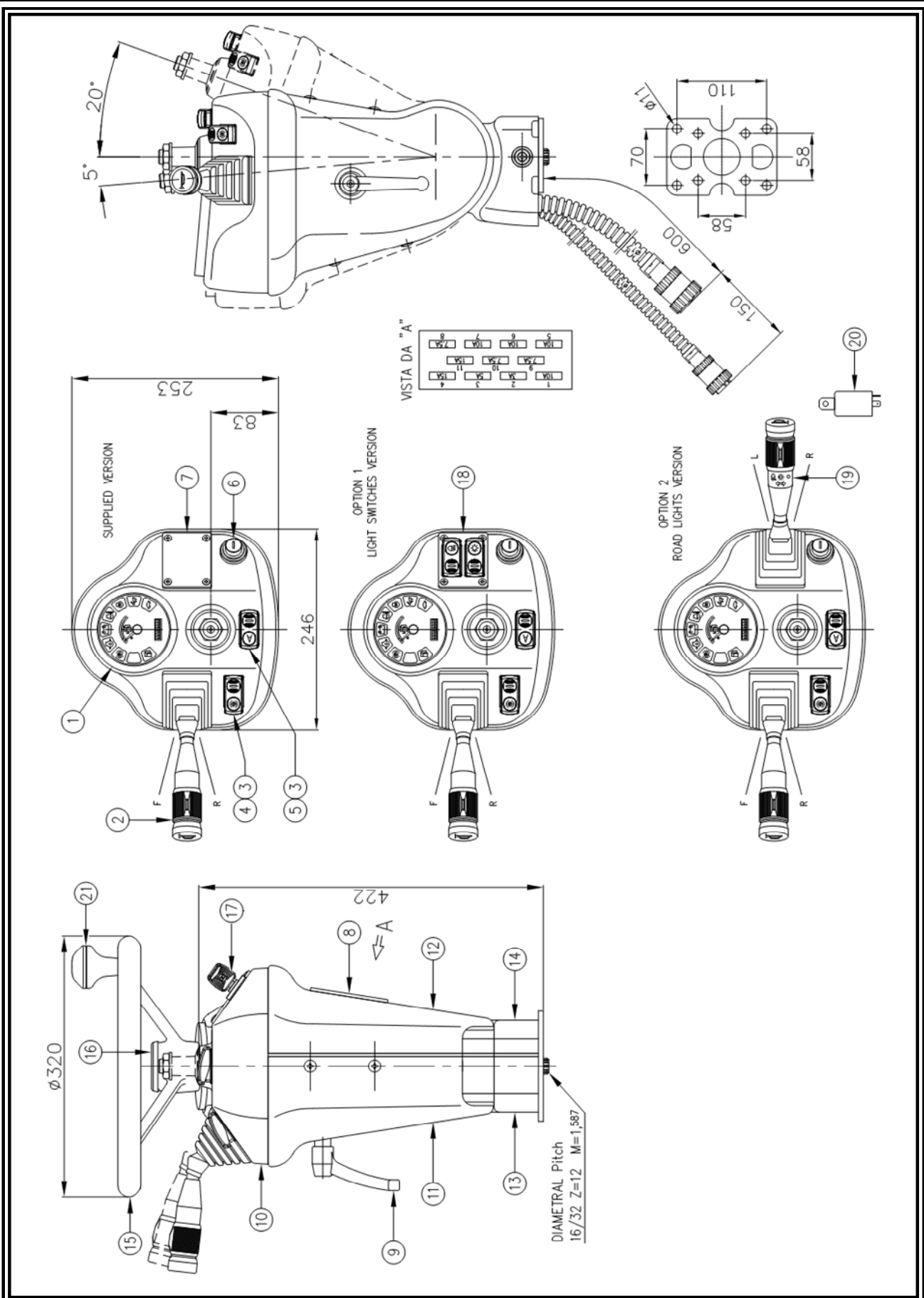
\\Trike\Onderdelenboek\Plaatwerk.sza

◀ SHEET METAL

Pos.no.	Number	Description	Item number
1	1	Safety cage	PH.1111
2	1	Roll bar	PH.0029
3a	1	Seat GS12 HT	P12.0109
3b	1	Columbus air-sprung seat	P12.0105
3c	1	Seat KAB211	P12.0350
4	1	Safety belt	P12.0615
5	1	Columbus right armrest	P12.0105.5
6	1	Engine cover	PH.0015
7	4	Hinge Engine cover / Rear cover	P80.1669
8	2	Damper	K3BA-50-41160
9	2	Latch Engine cover / Rear cover	P12.0524
10	1	Rear cover	PH.8881
11	1	Rear cover handle	PE.1289
12	1	Floor plate	PH.0199
13	1	Steering column	PH.0100
14	1	Dashboard	PH.0006
15	1	Horn	P01.0191



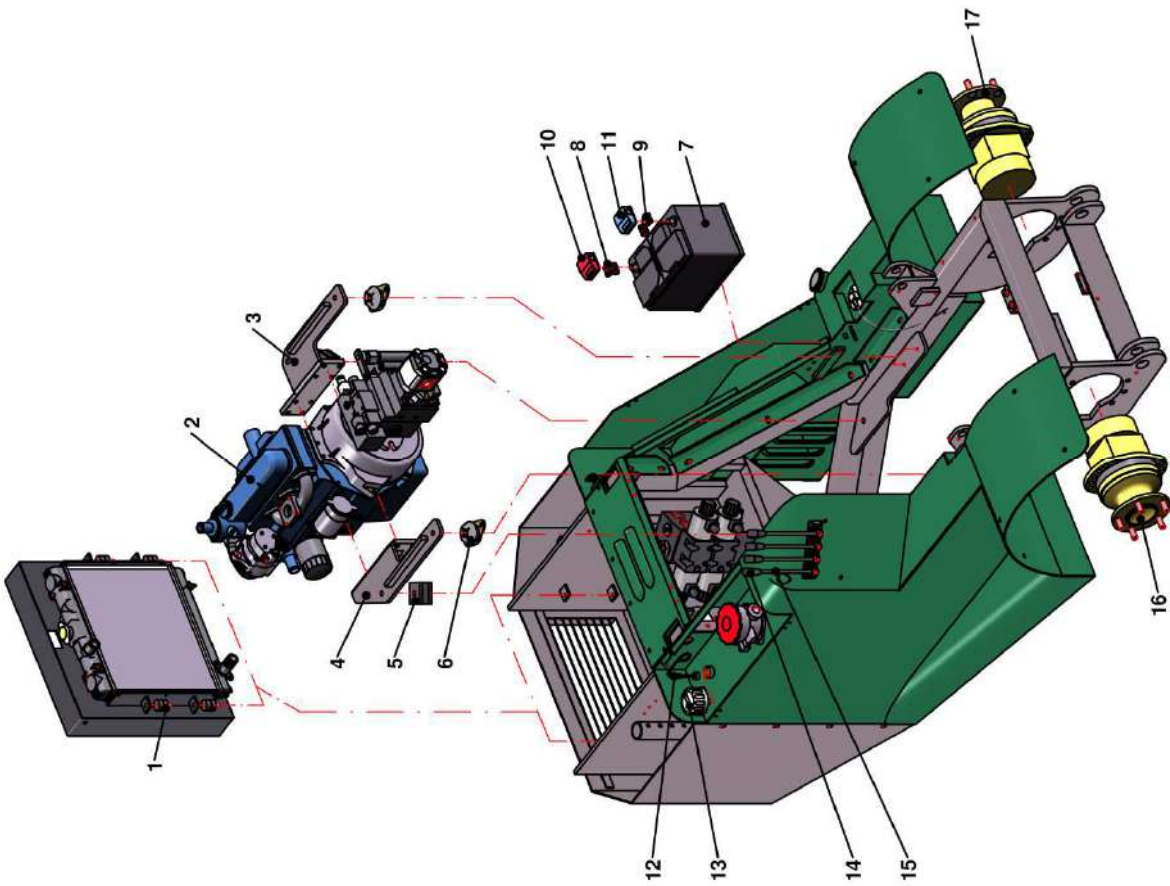
2 – STEERING COLUMN



◀ STEERING COLUMN

Pos.no.	Number	Description	Item number
1	1	Instrument panel	PH.0100.2
2	1	Forward / Reverse switch	PH.0100.1
3	2	Rocker switch	PH.0100.3
4	1	Switch	PH.0100.4
5	1	Switch	PH.0100.5
6	1	Ignition	PH.0101
7	1	Cap	PH.0100.6
8	1	Fuse box	PH.0100.7
9	1	Lever steering column	PH.0100.8
10	1	Dashboard	PH.0100.9
11	1	Top left cover	PH.0100.10
12	1	Top right cover	PH.0100.11
13	1	Bottom left cover	PH.0100.12
14	1	Bottom right cover	PH.0100.13
15	1	Steering wheel	P12.13030
16	1	Cover steering wheel	PH.13031
17	1	Ignition key	PH.0101.1
18	1	Cover Rocker switches	PH.0100.1
19	1	Switch road lights (option)	PH.0102
20	1	Flasher unit	PH.0102.1
21	1	Steering knob	P12.13030.1

3 – DRIVE TRAIN ASSEMBLY



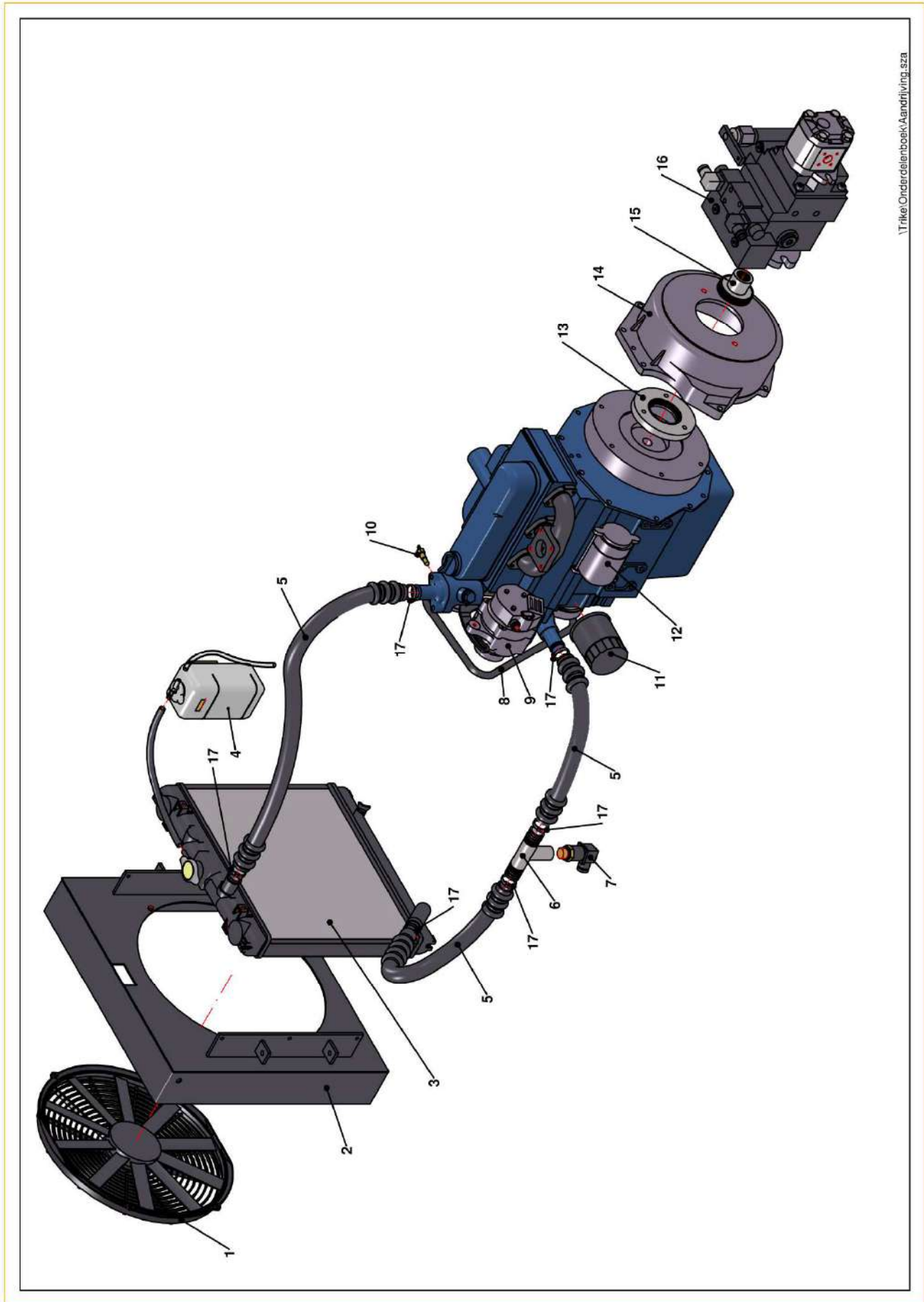
\\Trike\Onderdelenboek\Montage-Aandrijving.sza

◀ DRIVE TRAIN ASSEMBLY

Pos.no.	Number	Description	Item number
1	4	Vibration damper	P10.0017.1
2	1	Kubota D1105 engine	M.31105.1
3	1	Left engine mount	PH.0002
4	1	Right engine mount	PH.0001
5	2	Vibration damper	P10.0012
6	2	Vibration damper	P10.0026
7	1	Battery 12V 60Ah	P01.56077
8	1	Pos. pole battery terminal	P01.0017
9	1	Neg. pole battery terminal	P01.0017.1
10	1	Protective battery terminal cover, red	P01.0058
11	1	Protective battery terminal cover, blue	P01.0059
12	1	Hydraulic fluid reservoir dipstick	19077.3641
13	1	Hydraulic fluid reservoir filler cap	P02.0153
14	4	Valve lever knob	P02.220008.1
15	4	Valve lever	P02.220008.2
16	1	Right drive motor	PH.A06479S
17	1	Left drive motor	PH.A06482V



4 – DRIVE TRAIN

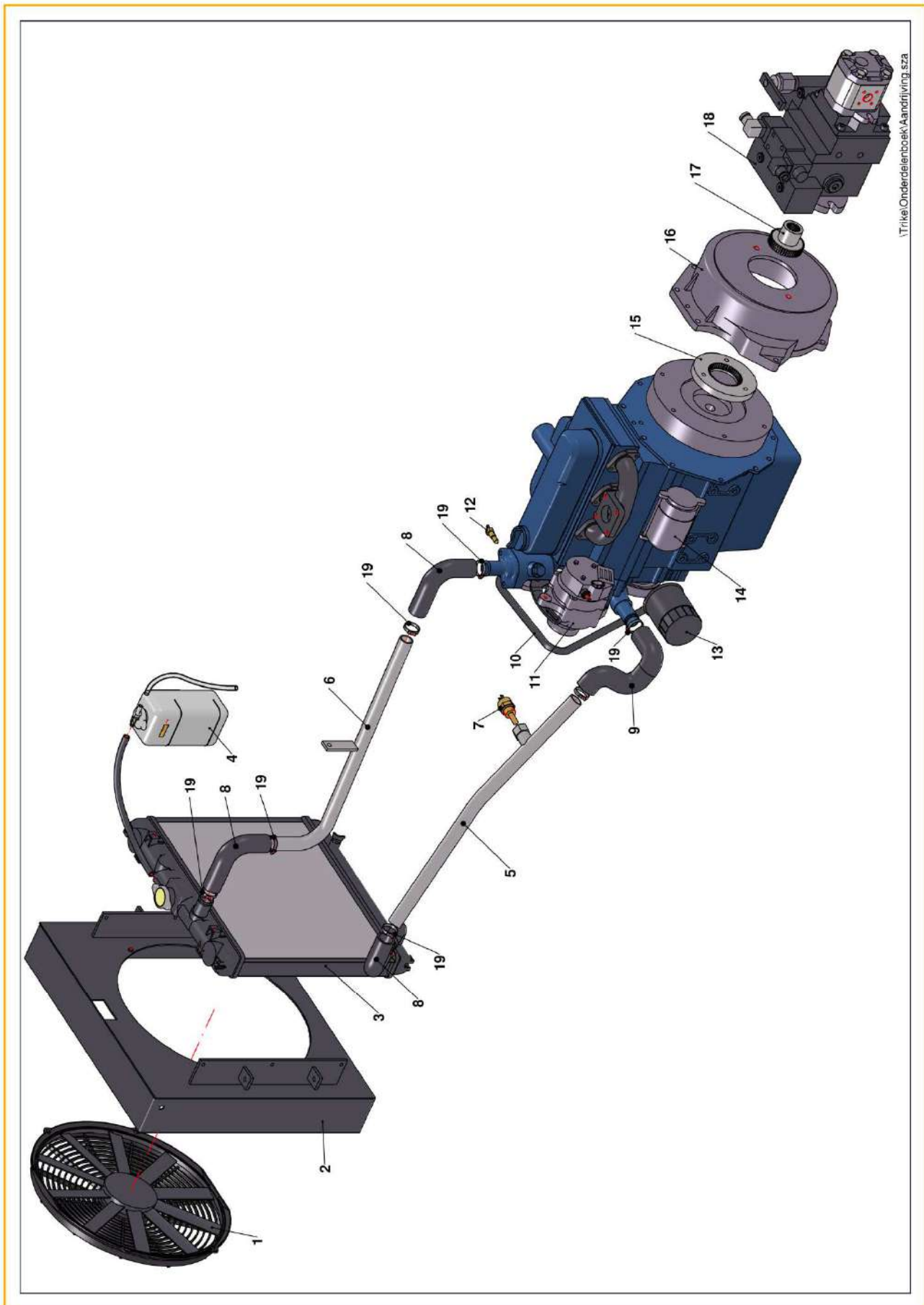


\\Trike\Onderdelenboek\Aandrijving.sza

◀ DRIVE TRAIN

Pos.no.	Number	Description	Item number
1	1	Radiator fan	AC.30315211
2	1	Radiator front plate	PH.00100
3	1	Radiator	K523
4	1	Expansion tank	K294
5	~	Flexible Radiator hose	P12.0377
6	1	T-fitting	Ph.4042
7	1	Temperature sensor	61000141003me
8	1	V-belt	16282.9701.0
9	1	Alternator 60A	K468
10	1	Temperature sender	P01.0601
11	1	Oil filter	HH160.3209.0
12	1	Starter motor	K232
13	1	Carrier flange	AC.SM0200
14	1	Flywheel housing	AC.05SAEB
15	1	Carrier gear	AC.SM0223
16	1	Hydraulic pump	PH.M4PV28D235AR3BMV
17	6	Hose clamp	25-45mm

4A – DRIVE TRAIN FROM SN 82161

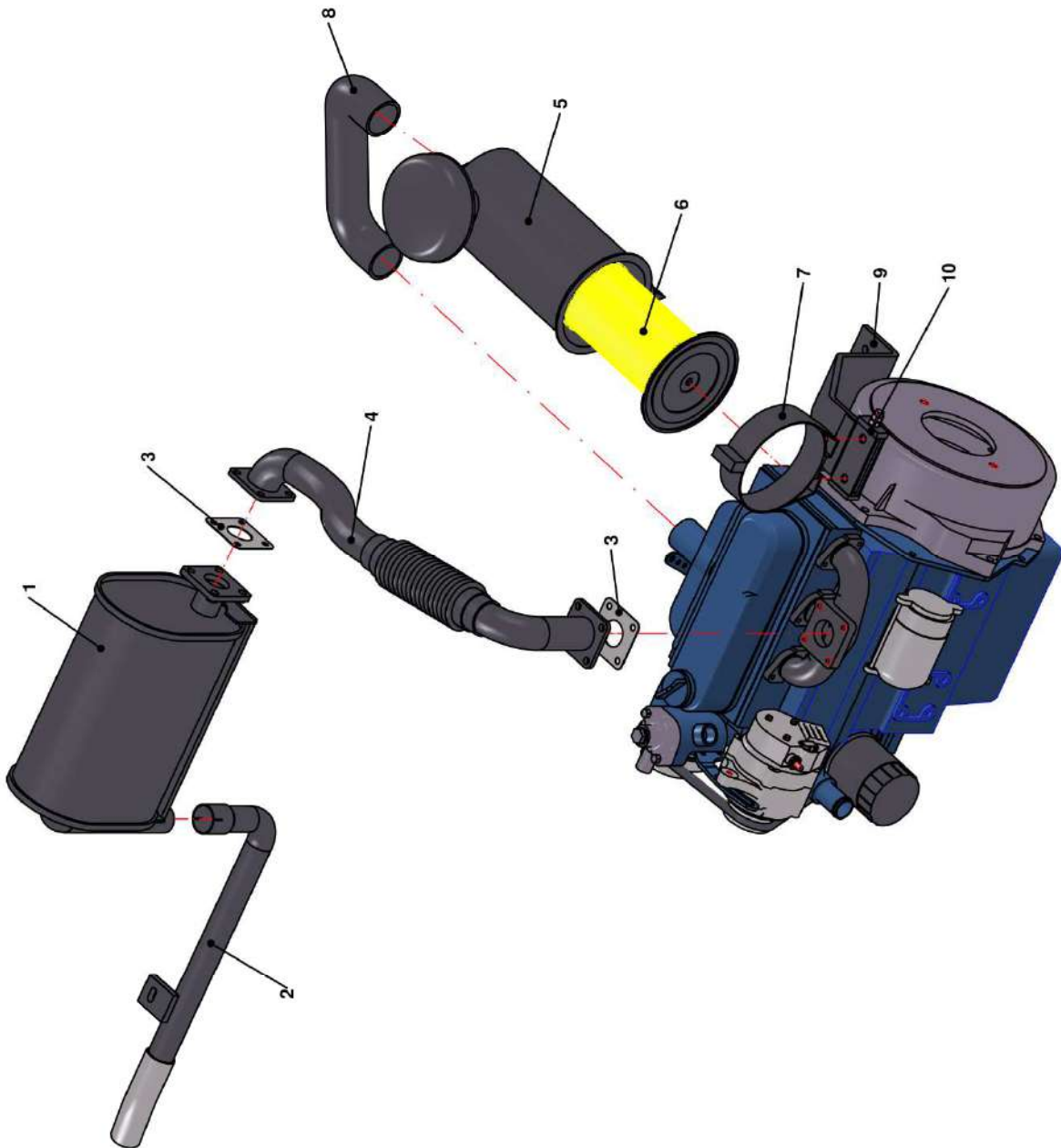


\\Trike\Onderdelenboek\Aandrijving.sza

◀ DRIVE TRAIN FROM SN 82161

Pos.no.	Number	Description	Item number
1	1	Radiator fan	AC.30315211
2	1	Radiator front plate	PH.00100
3	1	Radiator	K523
4	1	Expansion tank	K294
5	1	Upper Radiator pipe	PH.0039
6	1	Lower Radiator pipe	PH.0038
7	1	Temperature sensor	61000141003me
8	3	Radiator hose 1	PH.600.1
9	1	Radiator hose 2	16626.7285
10	1	V-belt	16282.9701.0
11	1	Alternator 60A	K468
12	1	Temperature sender	P01.0601
13	1	Oil filter	HH160.3209.0
14	1	Starter motor	K232
15	1	Carrier flange	AC.SM0200
16	1	Flywheel housing	AC.05SAEB
17	1	Carrier gear	AC.SM0223
18	1	Hydraulic pump	PH.M4PV28D235AR3BMV
19	6	Hose clamp	25-45mm

5 – AIR MANAGEMENT

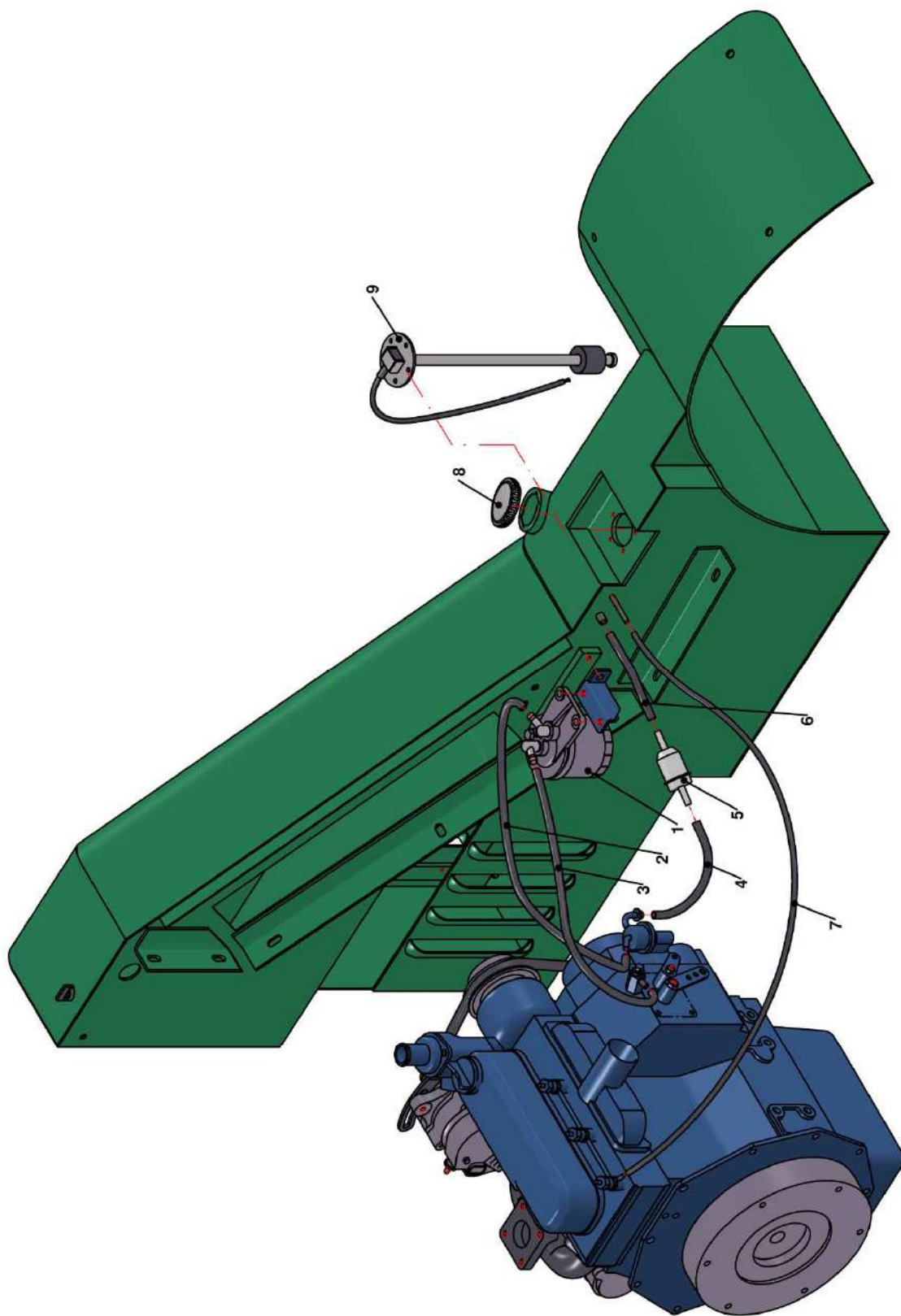


\\Trike\Onderdelenboek\Luchthuishouding_sza

◀ AIR MANAGEMENT

<i>Pos.no.</i>	<i>Number</i>	<i>Description</i>	<i>Item number</i>
1	1	Muffler	PH.3002050
2	1	Exhaust pipe	PH.2228
3	2	Exhaust gasket	15263.1237.0
4	1	Exhaust taper	PH.2229
5	1	Air filter	K198
6	1	Air filter element	15741.1108.0
7	1	Air filter clamp	38430.1398.0
8	1	Intake manifold hose	16616.1162.1
9	1	Air filter mount	PH.666690
10	1	Air filter mount fastener	PH.666690.1

6 – FUEL SYSTEM



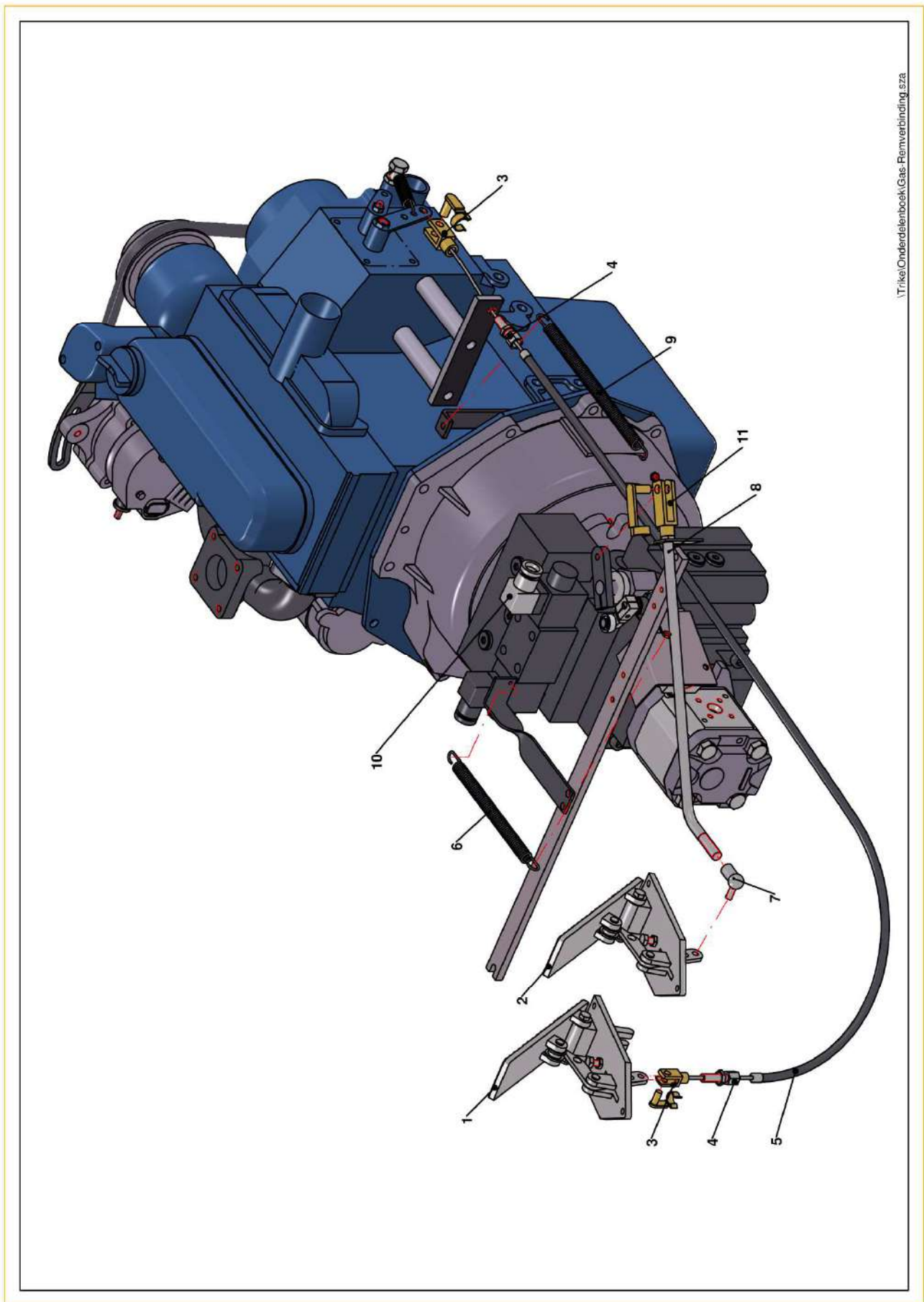
\\Trike\Onderdelenboek\Brandstelsysteem.sza

◀ FUEL SYSTEM

<i>Pos.no.</i>	<i>Number</i>	<i>Description</i>	<i>Item number</i>
1	1	Fuel filter element	15221.4308.0
2	1	Fuel supply hose 8mm x 600mm	P12.0529
3	1	Fuel supply hose 8mm x 260mm	P12.0529
4	1	Fuel supply hose 8mm x 480mm	P12.0529
5	1	Fuel filter	P11.1030.1
6	1	Fuel supply hose 8mm x 190mm	P12.0529
7	1	Fuel return hose 6mm x 500mm	19268.4252.0
8	1	Fuel filling cap	P12.0021
9	1	Fuel level sender	PH.1000



7 – THROTTLE AND BRAKE CONNECTION

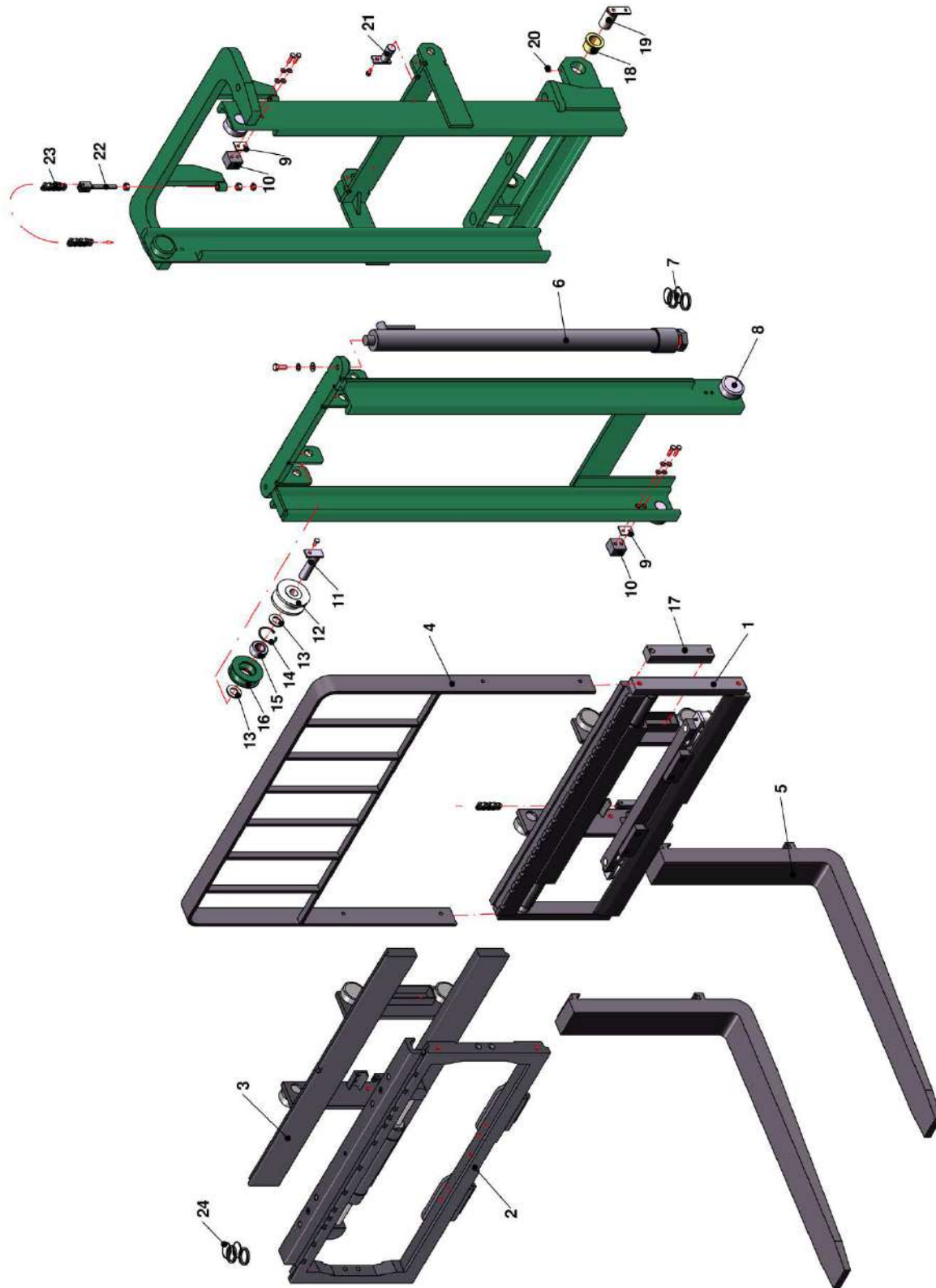


I:\Trike\Onderdelenboek\Gas-Remverbinding.s2a

◀ THROTTLE AND BRAKE CONNECTION

<i>Pos.no.</i>	<i>Number</i>	<i>Description</i>	<i>Item number</i>
1	1	Throttle pedal	P12.220012
2	1	Brake pedal	P12.220012
3	2	Linkage yoke M6 short	LA.570.0934
4	2	Cable adjustment bolt M8	P12.10002
5	1	Throttle cable	P12.10050
6	1	Tension spring	P12.0252
7	1	Ball joint M6	P12.0016
8	1	Brake rod	PH.1001
9	1	Tension spring	P12.0252
10	1	Plug	P07.00005.2
11	1	Linkage yoke M8 long	P12.220017

8 – FORKLIFT MAST

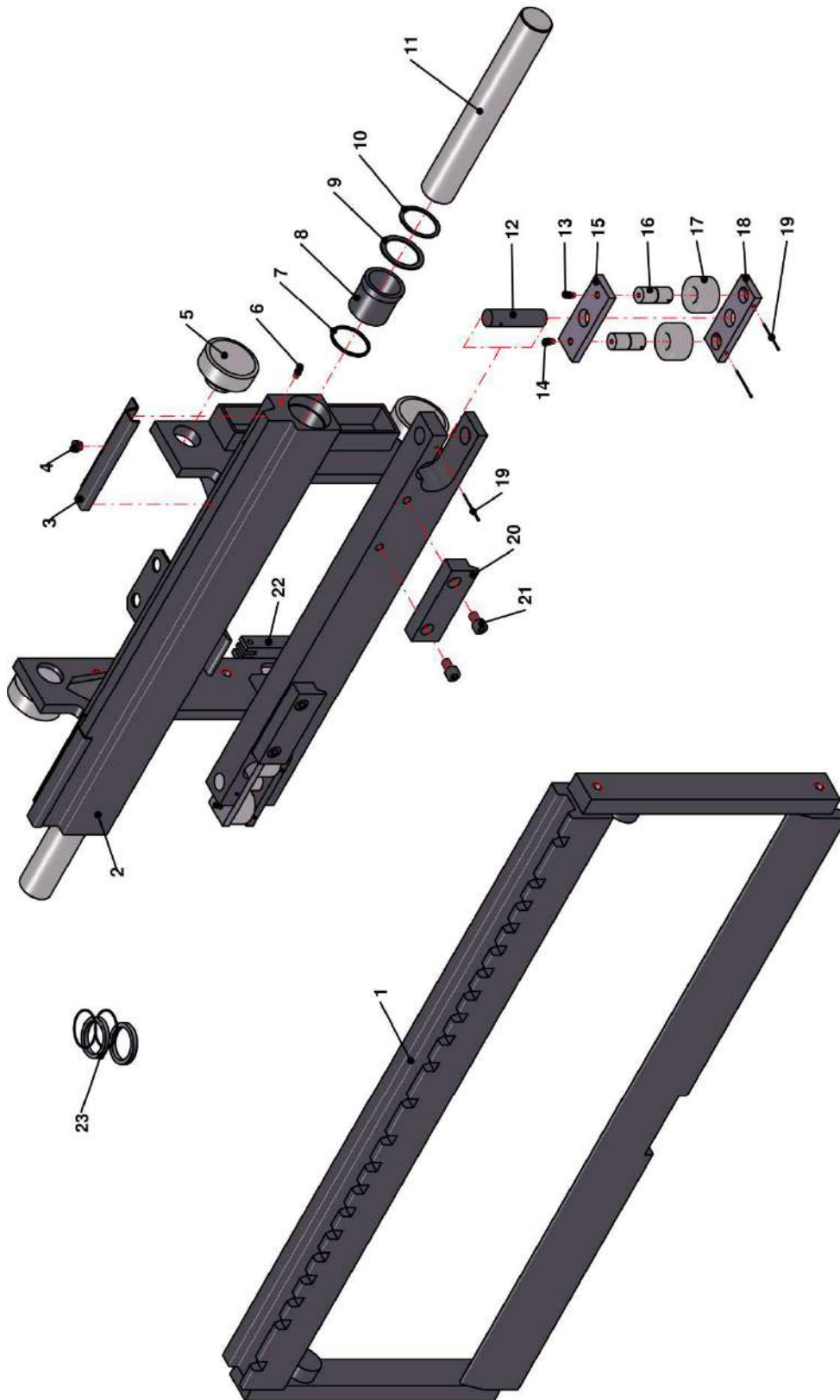


\\Trike\Onderdelenboek\Helmast.sza

◀ FORKLIFT MAST

Pos.no.	Number	Description	Item number
1	1	Fork positioner with integrated Side-Shift	P80.1050
2	1	Side-Shift 1020mm for Attached fork positioner	55F-SSE-029
3	1	Attached fork positioner	P80.54545
4	1	Load backrest	P80.1052
5	2	Fork l=1000 mm	V100x35x10002
	2	Fork l=1200 mm	V100x35x12002
	2	Fork l=1300 mm	V100x35x13002
6	2	Lift cylinder 1780mm (M36 nut)	P80.0080
	2	Lift cylinder 2800mm (M36 nut)	P80.0090
7	~	Revision kit Lift cylinder	P80.0080.1
8	8	Forklift mast bearing	P15.0032
9a	4	Spacer plate thickness = 8mm	P80.0122
9b	4	Mast shim	P80.0048
10	4	Forklift mast slide block	PA.12.4.13
11	1 / 2	Mast roller lock pin	P80.105
12	1 / 2	Hydraulic hose guide roller	PA.12.4.5
13	2 / 4	Flat lock ring M24	P03.11.24.00
14	1 / 2	Retaining ring 52x2	P03.08.J52.00
15	1 / 2	Bearing 3205-2RS1	L.3205.2RS
16	1 / 2	Sprocket	PA.12.4.4
17	2	Fork positioner slider block	PA.100910
18	2	Bronze bearing	PA.100800
19	2	Forklift mast / frame axle	P80.18031
20	2	Grease nipple M6	P03.00007
21	2	Lock pin for Tilt cylinder / Mast	P80.107
22	2	Anchor bolt BL544 complete	PA.100110.3
23	2	Lift chain BL544 Mast 1780mm – 45 links	PA.100110.2
	2	Lift chain BL544 Mast 2800mm – 61 links	PA.100110.2
	2	Lift chain BL544 Mast 3000mm – 63 links	PA.100110.2
	2	Lift chain BL544 Mast 3200mm – 67 links	PA.100110.2
24	1	Revision kit Side Shift	P80.1050.14

9A – INTEGRATED SIDE-SHIFT



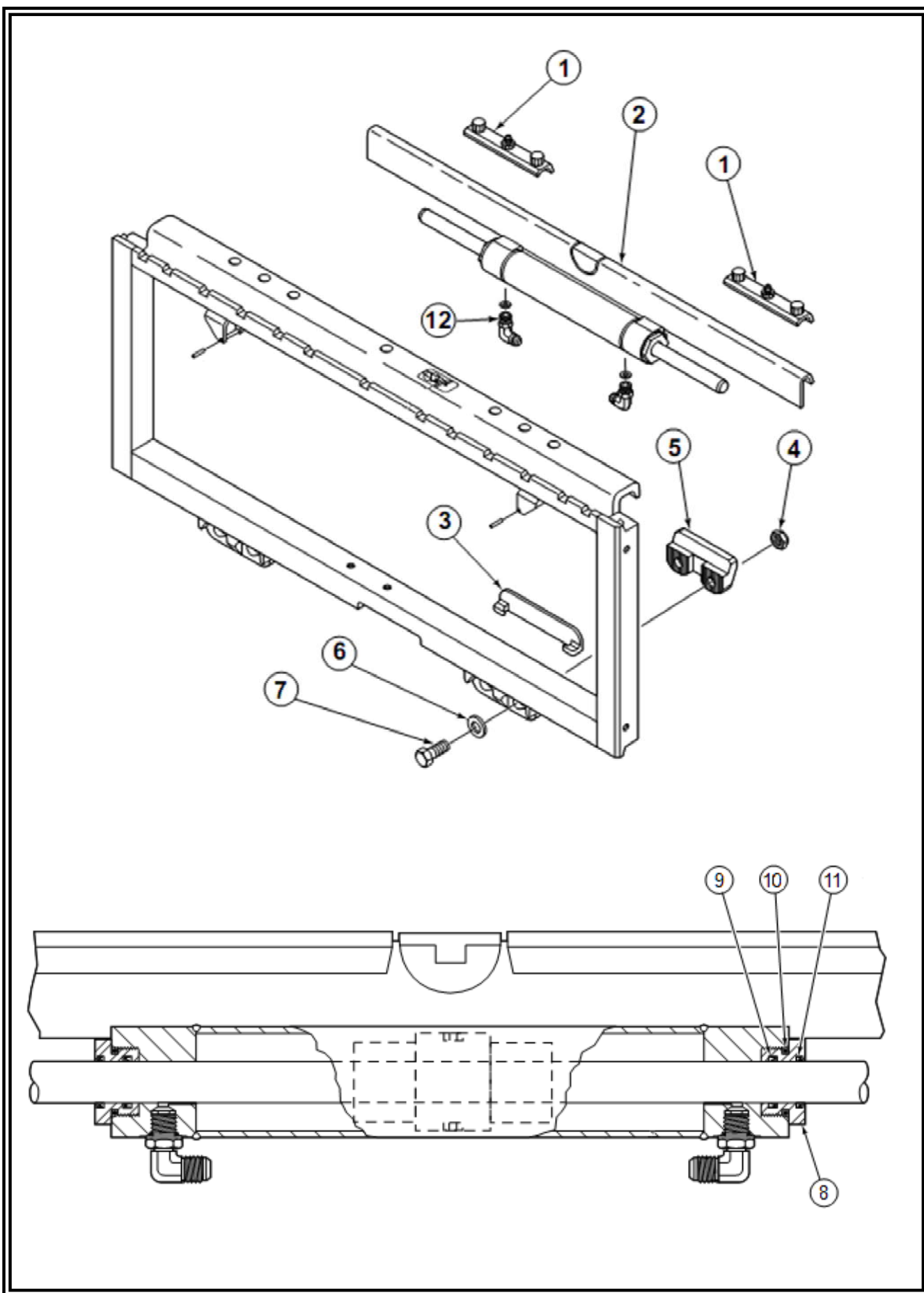
\\Trike\Onderdelenboek\Side-Shift.sza

◀ INTEGRATED SIDE-SHIFT

Pos.no.	Number	Description	Item number
1	1	Mobile Frame	P80.1050.8
2	1	Fixed Frame	P80.1050.9
3	2	Top plate	P80.1050.1
4	2	Top plate fastener	P80.1050.2
5	4	Forklift mast bearing	P15.0032
6	2	Grease nipple	P80.1050.10
7	2	Gasket	P80.1050.3
8	2	Slider block	P80.1050.6
9	2	Ring	P80.1050.4
10	2	Elastic ring	P80.1050.5
11	2	Cylinder rod	P80.1050.7
12	2	Shaft	P80.1050.22
13	2	Grease nipple	P80.1050.23
14	2	Grease nipple	P80.1050.24
15	2	Top bearing holder	P80.1050.25
16	4	Shaft	P80.1050.26
17	4	Guide bearing	P80.1050.27
18	2	Bottom bearing holder	P80.1050.28
19	4	Lock pin	P80.1050.30
20	2	Bottom lock plate	P80.1050.11
21	4	Bolt	P80.1050.31
22	2	End block BL544	PA.100110.1

Pos.nos.	Kit	Item number
	Fork positioner with integrated Side-Shift complete	P80.1050
12-19	Guide right	P80.1050.12
12-19	Guide left	P80.1050.13
23	Revision kit Side Shift	P80.1050.14

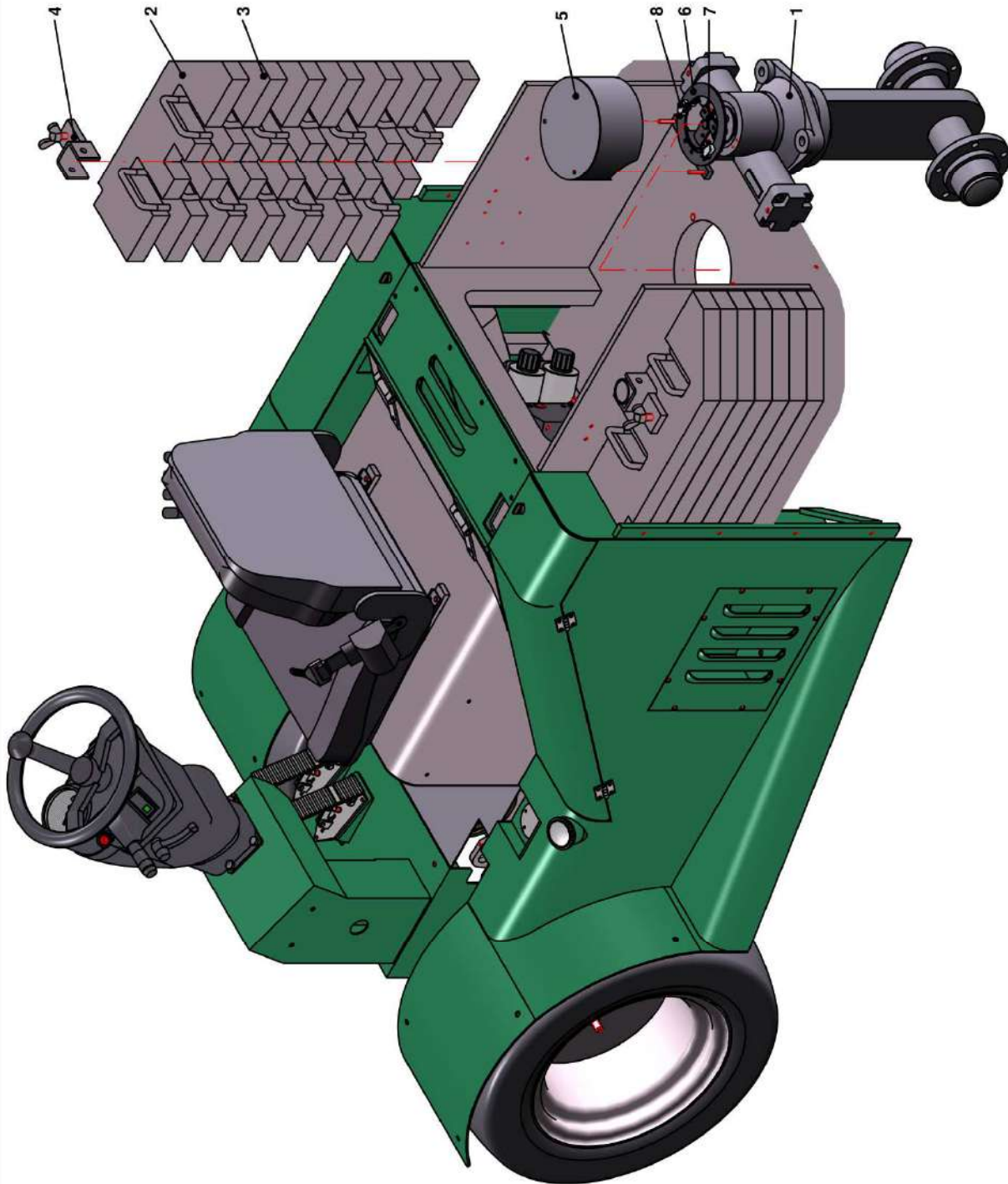
9B – SIDE SHIFT ATTACHED FORK POSITIONER



◀ SIDE SHIFT ATTACHED FORK POSITIONER

Pos.no.	Number	Description	Item number
1	2	Sliding strip top	228782CA
2	1	Side Shift cylinder	SP210061CAS
3	2	Plain bearing bottom	225570CA
4	4	Nut M16x2	P80.1050.15
5	2	Sliding strip bottom	204186CA
6	4	Washer	P80.1050.16
7	4	Bolt M16x45	P80.1050.32
8	2	Seal cylinder	P80.1050.18
9	2	Cap cylinder rod	P80.1050.21
10	2	O Ring seal	P80.1050.20
11	2	Seal	P80.1050.19
12	2	Threaded fitting	P80.1050.17

10 – STEERING AXLE & BALLAST ASSEMBLY

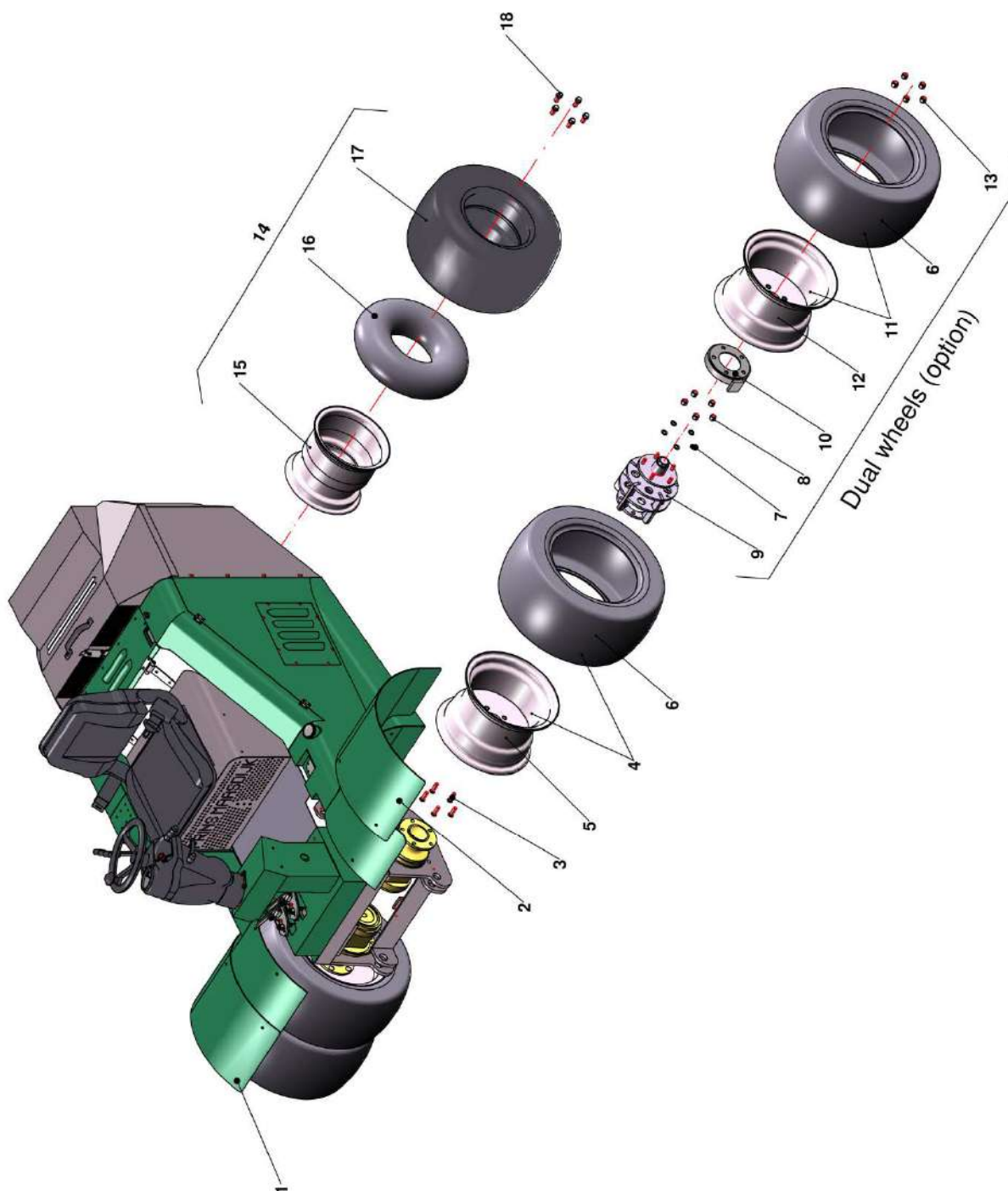


Trike/Onderdelenboek/Montage-Sluur-as-Ballast.sza

◀ STEERING AXLE & BALLAST ASSEMBLY

Pos.no.	Number	Description	Item number
1	1	Trike steering axle	P80.2003
2a	~	Counterweight block type 1 Left	PH.7771.1L
2b	~	Counterweight block type 1 Right	PH.7771.1R
3a	~	Counterweight block type 2 Left	PH.7771.2L
3b	~	Counterweight block type 2 Right	PH.7771.2R
4	2	Counterweight lock	PH.8887
5	1	Steering axle cover	PH.8884
6	1	Steering axle ring	PH.8885
7	1	Steering axle support	PH.8886
8	4	Switch	LA.540.0253

11 – RIMS & TIRES

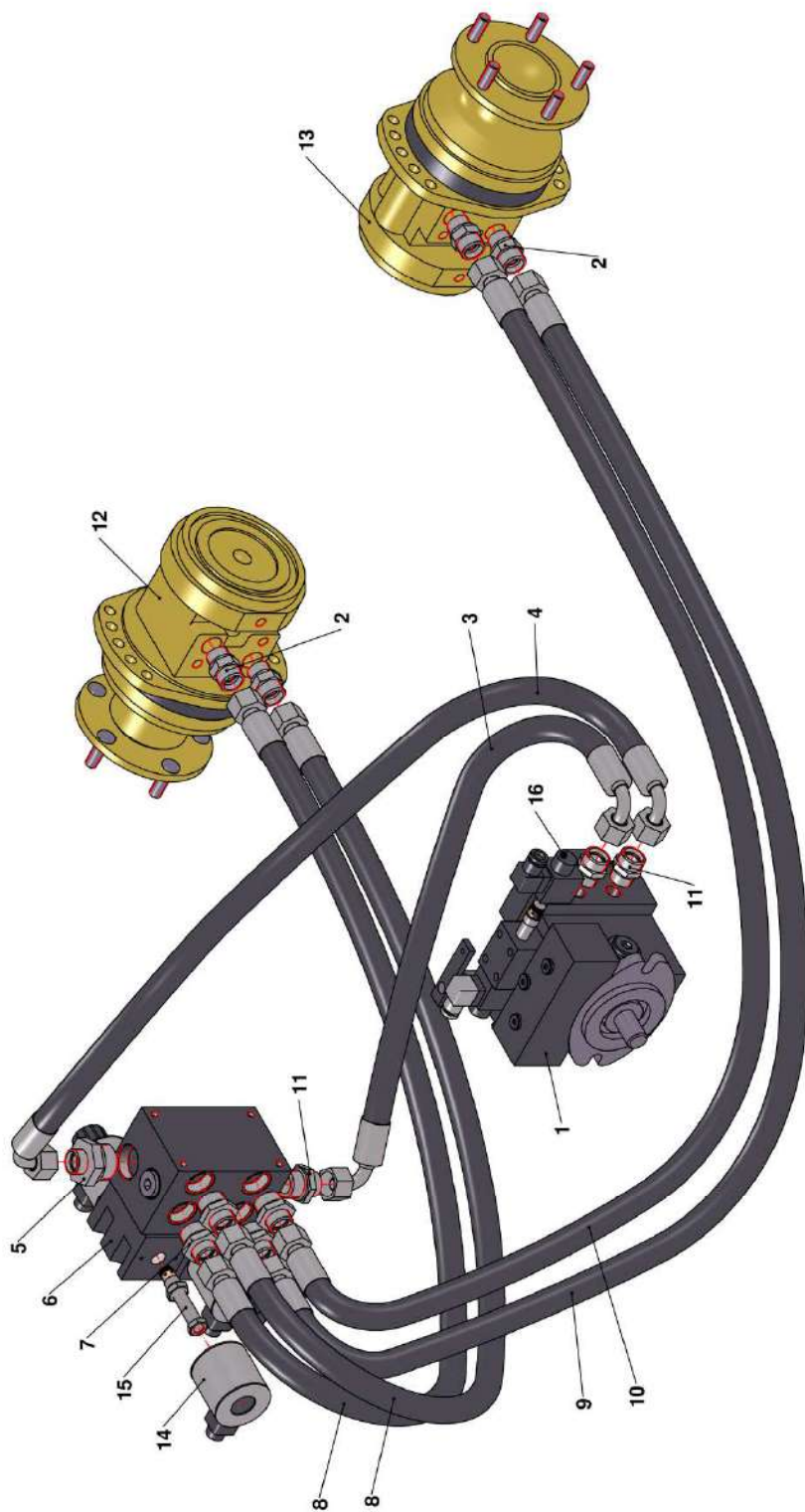


Trike\Onderdelenboek\Velgen-Banden.sza

◀ RIMS & TIRES

Pos.no.	Number	Description	Item number
1	1	Front fender dual wheels Right	PH.0031
2	1	Front fender dual wheels Left	PH.0032
3	10	Lug nut drive motors	PH.A00001
4	2	Drive wheel 295X50-15 complete	PH.0050
5	2	Rim Grey 295X50-15	PH.0051
6	2/4	Outer tire 295X50-15	P04.01214
Dual wheels (optional):			
7	10	Washer M14	7203014001FA
8	10	Lug nut M14	PH.A00002
9	2	Free wheeling hub (optional)	PH.2065
10	2	Mounting plate Free wheeling hub (optional)	PH.2065.7
11	2	Drive wheel 295X50-15 complete outer wheel (optional)	PH.0050BU
12	2	Rim 295X50-15 for outer wheel (optional)	PH.0051BU
13	10	Lug nut	P15.0020.2
14	2	Rear wheel 24x13-12 complete	PE.0051
15	2	Rim 24x13-12	PE.0035
16	2	Tube 24x13-12	P04.11213
17	2	Outer tire 24x13-12	P04.01213
18	10	Lug bolt	P80.1060.5

12A – HYDRAULIC DRIVE MOTORS PART 1

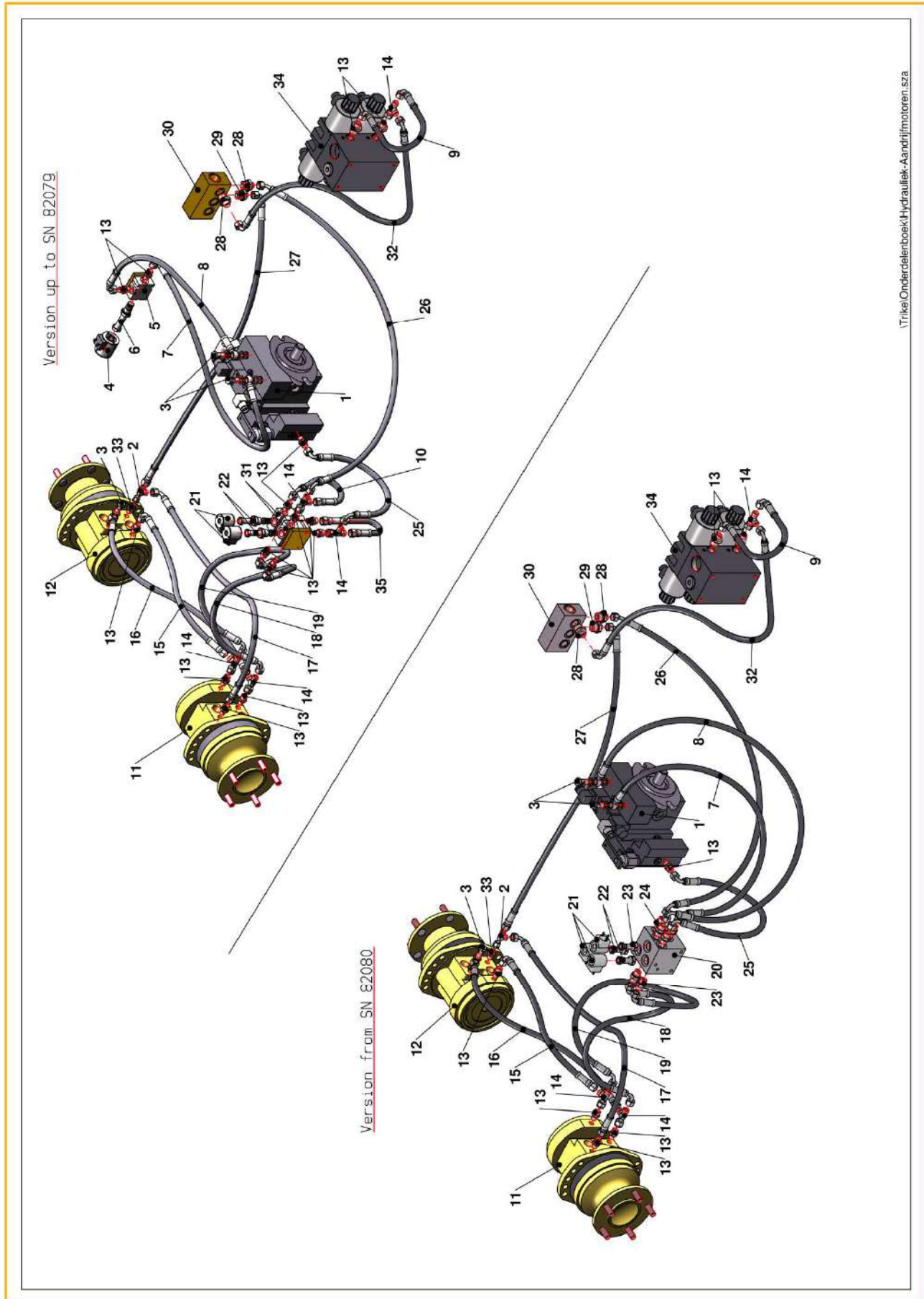


Trike/Onderdelenboek/Hydrauliek-Aandrijfmotoren.sza

◀ HYDRAULIC DRIVE MOTORS PART 1

Pos.no.	Number	Description	Item number
1	1	Hydraulic pump	PH.M4PV28D235AR3BMV
2	4	Threaded fitting 1/2" – 16	H.0324
3	1	Hydraulic hose no. 55	PH.2155
4	1	Hydraulic hose no. 54	PH.2154
5	1	Threaded fitting 1" - 20	H.0331
6	1	Hydraulic block 2xNG + Y	PH.EM205/2Y
7	4	Threaded fitting 3/4" – 16	H.0326
8	2	Hydraulic hose no. 53	PH.2153
9	1	Hydraulic hose no. 57	PH.2157
10	1	Hydraulic hose no. 56	PH.2156
11	3	Threaded fitting 3/4" – 20	H.0333
12	1	Left drive motor	PH.A06482V
13	1	Right drive motor	PH.A06479S
14	4	Coil 12 VDC	PH.1902870
15	4	Cartridge	PH.DS5S3/11N-D00
16	2	Coil	PH.M4PV28D235AR3BM.3

12B – HYDRAULIC DRIVE MOTORS PART 2



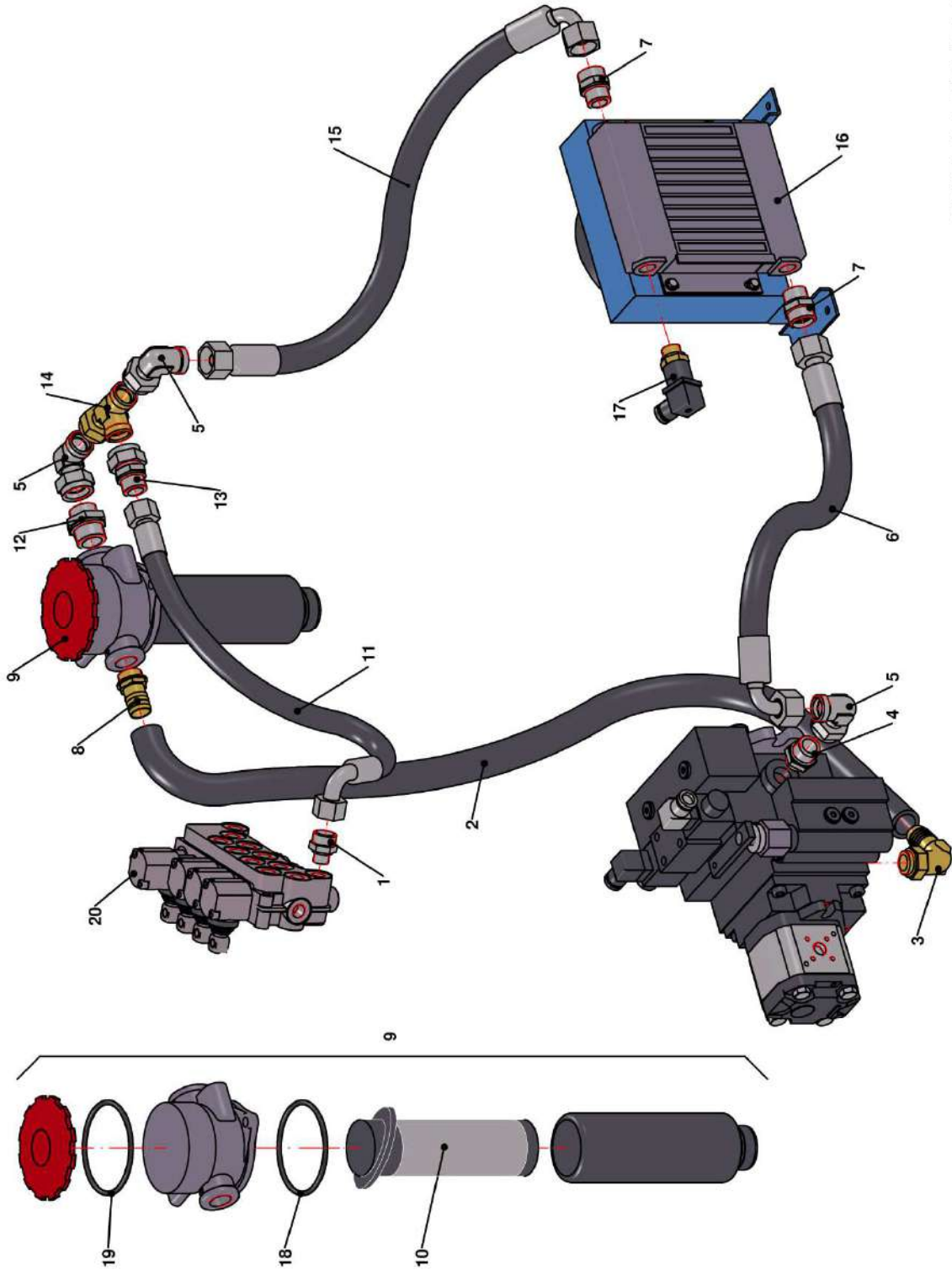
Trike/Onderdelenboek/Hydrauliek-Aandrijfmotoren.sza

◀ HYDRAULIC DRIVE MOTORS PART 2

Pos.no.	Number	Description	Item number
1	1	Hydraulic pump	PH.M4PV28D235AR3BMV
2	1	T-fitting 8mm	H.1109
3	3	Banjo bolt 1/4"	H.1302
4	1	Coil 12 VDC 18 08 PC	PH.4305882
5	1	2-way valve	PH.7028230
6	1	Cartridge SV10-24-0-N-00	PH.SV10-24-0-N-0
7	1	Hydraulic hose no. 25	PH.2175
8	1	Hydraulic hose no. 26	PH.2176
9	1	Hydraulic hose no. 74	PH.2174
10	1	Hydraulic hose no. 7	PH.2107
11	1	Left drive motor	PH.A06482V
12	1	Right drive motor	PH.A06479S
13	7~15	Threaded fitting 1/4" - 10	H.0314
14	2~3	T-fitting 10mm	H.1118
15	1	Hydraulic hose no. 4	PH.2104
16	1	Hydraulic hose no. 24	PH.2124
17	1	Hydraulic hose no. 2	PH.2102
18	1	Hydraulic hose no. 12	PH.2112
19	1	Hydraulic hose no. 5	PH.2105
20	1	Manifold with cartridges	PH.5000
21	2~3	Coil 12 VDC 08 EG	PH.4305862
22	2	Cartridge SV08-30-0-N-00	PH.SV08-30-0-N-0
23	1	Cartridge SV08-24-0-N-00	PH.SV08-24-0-N-0
24	6	Threaded fitting 3/8" - 10	H.0317
25	1	Hydraulic hose no. 3	PH.2103
26	1	Hydraulic hose no. 39	PH.2139
27	1	Hydraulic hose no. 1	PH.2101
28	2	Threaded fitting 1/2" x 10	H.0310
29	1	Threaded fitting 1/2" x 8	H.0343
30	1	Return block	PH.0018
31	2	Brake manifold	PH.7028720
32	1	Hydraulic hose no. 64	PH.2164
33	2	Threaded nipple 1/4" - 8	H.0315
34	1	Hydraulic block 2xNG + Y	PH.EM205/2Y
35	1	Hydraulic hose no. 74	PH.2174



13 – HYDRAULIC OIL COOLER



Trike/Onderdelenboek/Hydrauliek-Koeler.sza

◀ HYDRAULIC OIL COOLER

Pos.no.	Number	Description	Item number
1	1	Threaded fitting 3/8" - 18	H.0330
2	1	Hose no.69	PH.2169
3	1	Adjustable suction nipple	PH.15510000181
4	1	Threaded fitting 3/4" x 22	H.0336
5	3	Elbow fitting L22	H.1213
6	1	Hose no.68	PH.2168
7	2	Threaded fitting 1/2" x 22	H.0335
8	1	Hose nipple 3/4" - 25mm	PH.15508000186
9	1	Combo filter 10mu complete	PH.K041301
10	1	Hydraulic filter element	P762421DT
11	1	Hydraulic hose no. 23	PH.2123
12	1	Threaded fitting 1" x 22	H.0334
13	1	Reduction nipple 18 - 22	H.0345
14	1	T-linkage L22	H.1110
15	1	Hose no.67	PH.2167
16	1	Oil cooler OK2010	OK2010K12201KR
17	1	Temperature sensor	OK95060KR
18	1	O Ring filter	PH.K041301.2
19	1	O Ring hood	PH.K041301.1
20	4	Cover 4-valve block	P02.2005.2

◀ HYDRAULIC LIFTING

Pos.no.	Number	Description	Item number
1	2	Threaded fitting M14xJIC6	H.0409
2	6	Line clamp double 12mm	H.1603
3	2	Bulkhead fitting 10-10-90°	H.1702
4	1	4 th Valve line 10mm top	BK.267600
5	1	4 th Valve line 10mm bottom	OK.267600
6	2	Threaded fitting 3/8" - 10	H.1307
7	1	Quick-release coupling 3/8" Female	H.0806
8	1	Quick-release coupling 3/8" Male	H.0802
9a	1	Hydraulic hose 4 th Valve	PH.2160
9b	1	Hydraulic hose 4 th Valve	PH.2161
10	2	Hydraulic hose no. 62	PH.2162
11	1	Hydraulic hose no. 37	PH.2137
12	2	Return hose int. 10mm x 1500mm	P12.0397
13	6	Reduction nipple 1/2" - 15mm	H.0313
14	1	Reducing hexagon nipple 1/2"	PA.12.9.9
15	1	Y-fitting return	PA.100013
16	2	Banjo nipple	H.0346
17	1	Hydraulic hose no. 66	PH.2166
18	1	T-fitting 15 - 1/2" - 15	H.1112
19	1	High pressure line 15mm x 222mm	400361.L
20	1	Return hose 10mm (inside) x 2000mm	P12.0397
21	2	Electric valve 2-2 NC 1/2"	PE.0048
22	2	T-fitting 15 - 15 - 15	H.1111
23	1	Bulkhead fitting 15mm	H.0707
24	4	Bulkhead fitting 10mm	H.0701
25	1	Hydraulic hose no. 20	PH.2119
26	1	Hydraulic hose no. 21	PH.2020
27	1	Hydraulic hose no. 11	PH.2111
28	1	Hydraulic hose no. 10	PH.2110
29	1	Hydraulic hose no. 9	PH.2109
30	1	Hydraulic hose no. 6	PH.2106
31	1	Hydraulic line 10mm x 80mm - 45°	400161.GB
32	4	Threaded fitting 1/4" - 10 - 90°	H.0303
33	1	Venting clutch	P80.2003.1
34	3	Threaded fitting 1/4" - 10	H.0314
35	1	Accumulator 20 bar incl. bracket	H1000R20BAR
36	2	Cartridge 1/2 NC	PE.0048.4
37	2	Coil 12V for 2/2 valve	PE.0048.2
38	1	Hydraulic hose no. 65	PH.2165
39	1	Support 4 th Valve	P80.1054

15 – HYDRAULIC TILT CYLINDERS

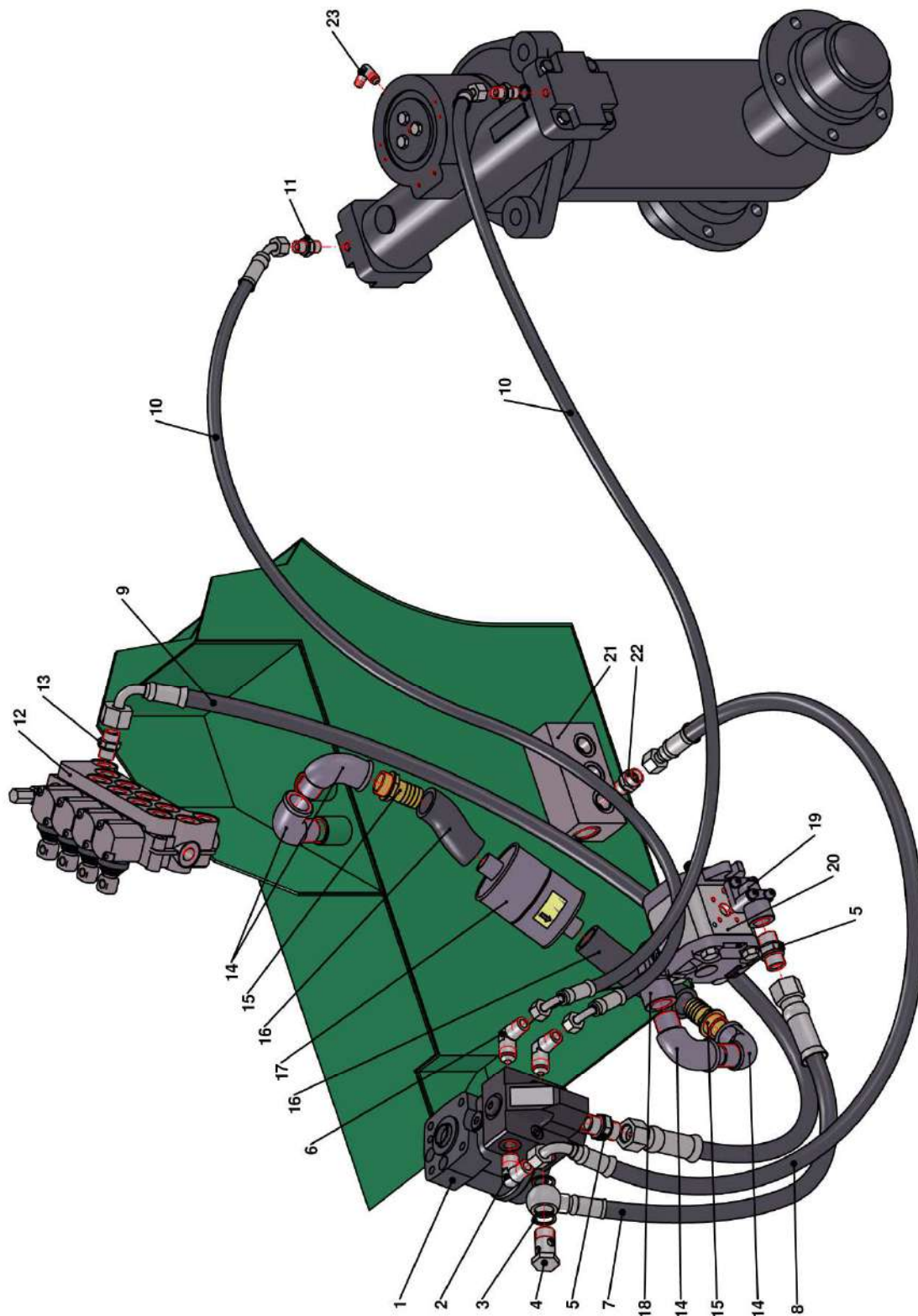


Trike/Onderdelenboek/Hydrauliek-Neigcilinders.sza

◀ HYDRAULIC TILT CYLINDERS

Pos.no.	Number	Description	Item number
1	2	Tilt cylinder	P80.2070
2		Tilt cylinder retaining ring kit	DC253560000KR
3	4	Threaded fitting 1/4 - 10 - 90°	P2.WE10LRX
4	1	Hydraulic hose no.17	PH.2017
5	1	Hydraulic hose no.16	PH.2016
6	1	Hydraulic hose no.18	PH.2018
7	1	Hydraulic hose no.15	PH.2015
8	1	Hydraulic hose no.14	PH.2014
9	1	Hydraulic hose no.13	PH.2013
10	1	Bypass block	P80.0045
11	8	Copper ring	P12.0387
12	7	Reducing nipple 1/4" - 10	H.0314
13	1	Throttle check valve	P02.220009.1
14	1	Reducing nipple 1/4" - 3/8"	H.0104
15	1	Threaded fitting 3/8" - 10 - 90°	H.0305

16 – HYDRAULIC CONTROL INSTALLATION

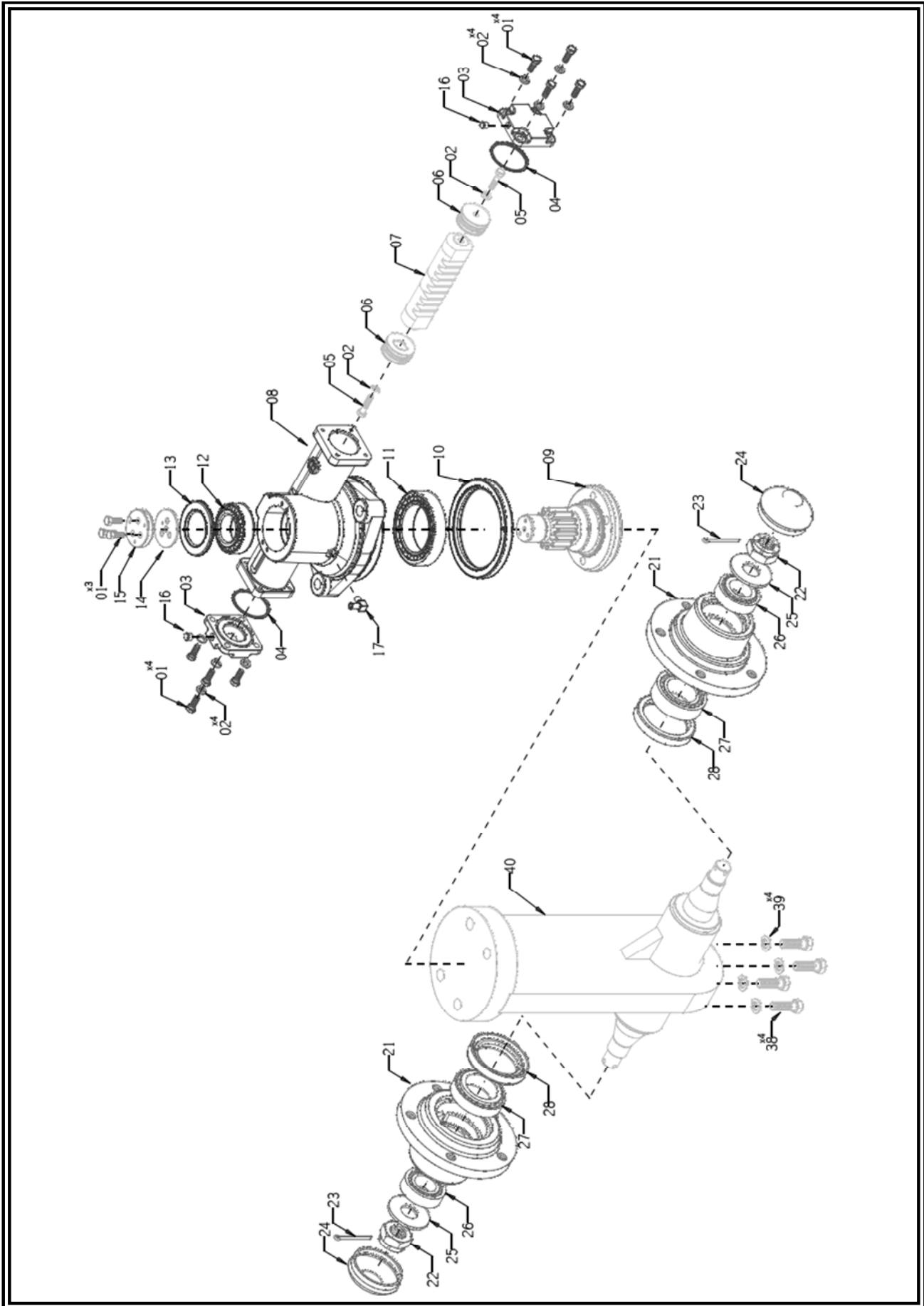


Trike.Onderdelenboek.Hydrauliek - Stuurinrichting.sza

◀ HYDRAULIC CONTROL INSTALLATION

Pos.no.	Number	Description	Item number
1	1	Orbitrol 50cc + Priority valve	PH.905603013
2	1	Threaded fitting 3/8" - 12 - 90°	H.0306
3	2	Copper ring	KR.1/2.3300
4	1	Banjo bolt 1/2"	H.1301
5	1	Threaded fitting 1/2" - 15	H.0313
6	2	Threaded fitting 3/8" - 10 - 90°	H.0305
7	1	Hydraulic hose no. 30	PH.2130
8	1	Hydraulic hose no. 29	PH.2029
9	1	Hydraulic hose no. 8	PH.2030
10	2	Hydraulic hose no. 63	PH.2063
11	2	Threaded fitting 7/16 - 10	H.0339
12	1	4-Valve block	PH.DO6DE4BACDZ180126
13	1	Threaded fitting 3/8" - 15	H.0322
14	4	Bend 90° Internal-External	P03.00052
15	2	Brass hose nipple	P03.00062
16	2	Hose internal 22mm x 150mm	P80.22150
17	1	Suction filter	P20.00018
18	1	Coupling G3/4 - 17	PH.R40903/4I
19	1	Coupling G1/2 - 13	PH.R35901/2I
20	1	Hydraulic pump 14.5cc	PH.HPLPA214DSVX6X4B0
21	1	Radiator return	PH.0018
22	1	Threaded fitting 1/2" - 12	H.0311
23	1	Air nipple	P80.2003.2

17 – STEERING AXLE

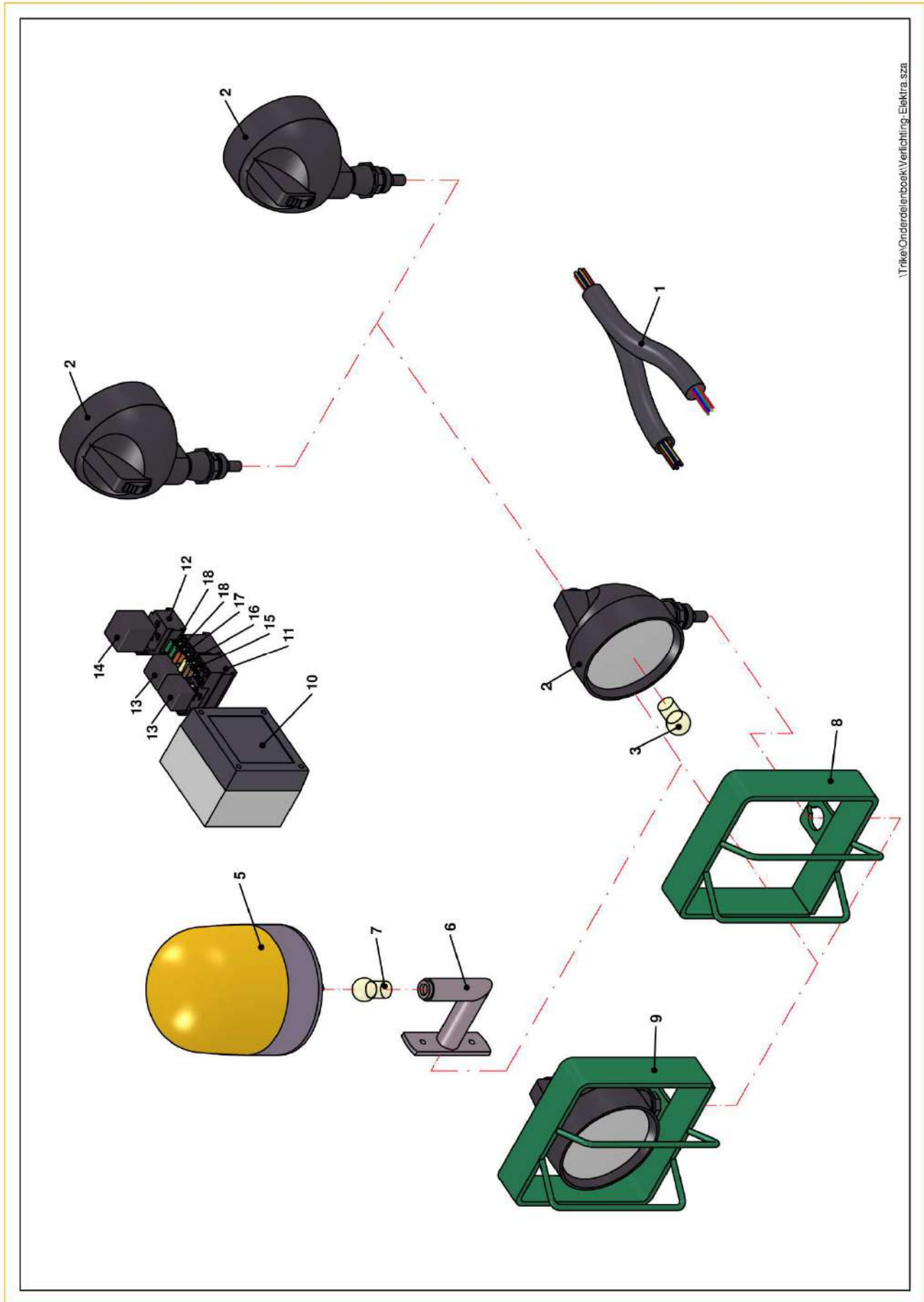


◀ STEERING AXLE

Pos.no.	Number	Description	Item number
4	2	O Ring seal 3.53 x 65.09	-
6	2	Cylinder head	P80.2003.5
10	1	Gasket	P80.2003.6
11	1	Bearing	P80.2003.7
12	1	Bearing	P80.2003.8
17	1	Plug	PH.2003.1
21	2	Hub	P80.2025
22	2	Nut	P80.2022
23	2	Split pin	P80.2021
24	2	Cover	P80.2020
25	2	Washer	P80.2023
26	2	Bearing	L.32206
27	2	Bearing	L.32009 X
28	2	Retaining ring 70x88x8	K.70.88.8



18 – LIGHTING & ELECTRICAL



\\Trike\Onderdelenboek\Verlichting-Elektra.sza

◀ LIGHTING & ELECTRICAL

Pos.no.	Number	Description	Item number
1	1	Trike wiring harness	P80.102
2	2 / 4	Operating lamp	P01.13030
3	1	Operating lamp Bulb	P01.0169
4	1	Pull switch	P01.0014.1
5	1	Flashing light	P01.13035
6	1	Flashing light support	P01.13035.1
7	1	Flashing light Bulb	P01.13031.1
8	1	Lamp bracket Left	P80.0057
9	1	Lamp bracket Right	P80.0058
10	1	Fuse box complete	P90.0004
11	2	Fuse holder	P80.2801
12	1	Fuse holder	P80.2801.1
13	2	Relay 12V small	P80.2800
14	1	Relay 12V large	P80.2800.1
15	1	Plug fuse 5A	
16	1	Plug fuse 20A	
17	1	Plug fuse 40A	
18	2	Plug fuse 30A	

APPENDIX 1 – MAINTENANCE KITS

<i>Draw.no.</i>	<i>Number</i>	<i>Description</i>	<i>Item number</i>
4	1	V-belt	16282.9701.0
4	1	Oil filter	HH160.3209.0
4	70	Oil DTE 25	P.106200
5	1	Air filter element	15741.1108.0
6	1	Fuel filter element	15221.4308.0
6	1	Fuel filter	P11.1030.1
13	1	Hydraulic filter element	P762421DT
16	1	Hydraulic filter	P20.00018



APPENDIX 2 – KUBOTA ENGINE– M.31105.2

	<i>Number</i>	<i>Description</i>	<i>Item number</i>
		Glow plug	16281.6551.0
		Vaporizer	1G065.5390.0