

Parts catalogue

SPRINTER

Issued May 2016
Prins Maasdijk

Vanaf serienummer: 82035



Prins Maasdijk

TABLE OF CONTENTS

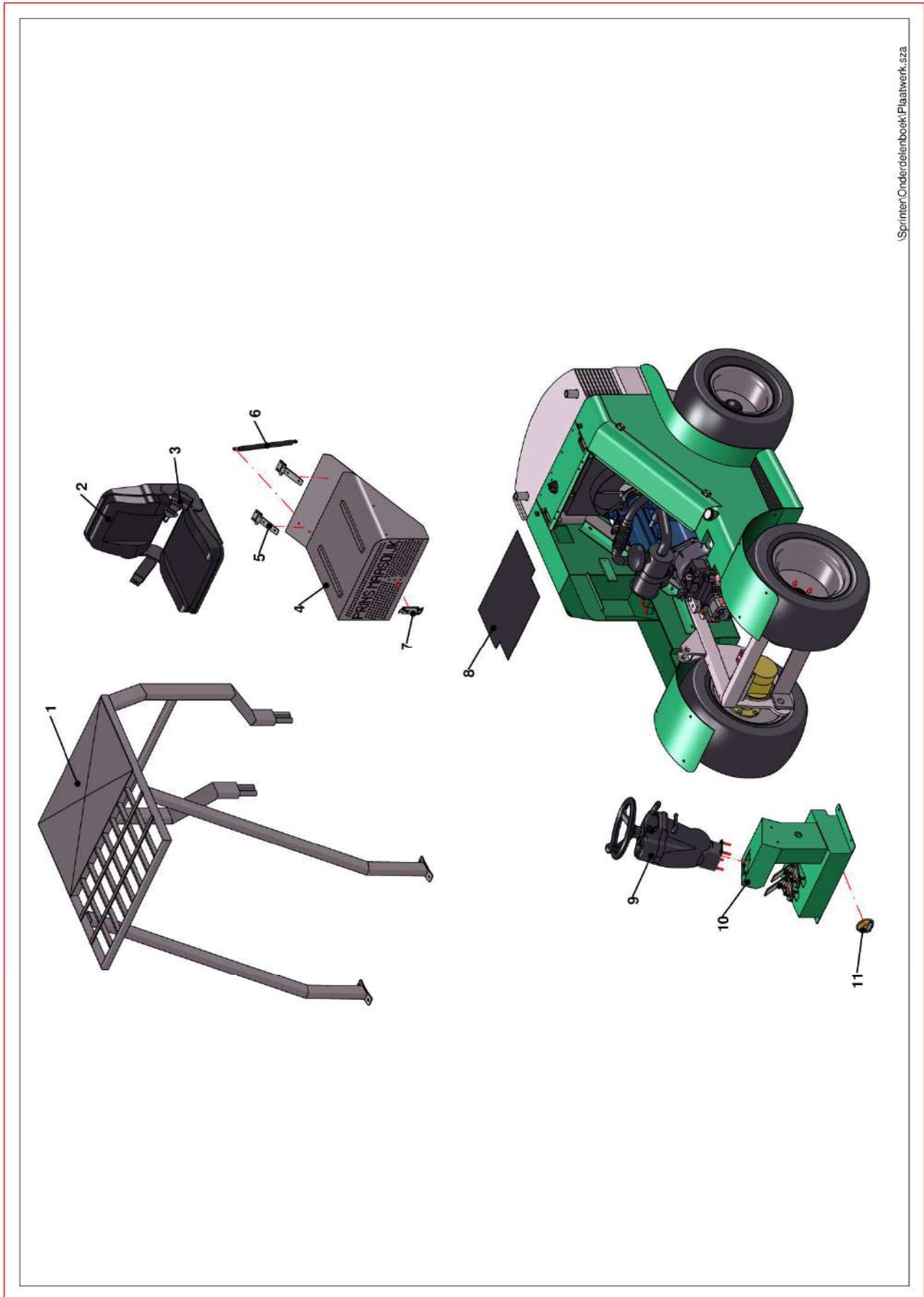
	<i>Page</i>
REMARKS.....	3
1 – SHEET METAL.....	4
2 – STEERING COLUMN	6
3 – DRIVE TRAIN ASSEMBLY.....	8
4 – DRIVE TRAIN	10
5 – AIR MANAGEMENT	12
6 – FUEL SYSTEM.....	14
7 – THROTTLE AND BRAKE CONNECTION.....	16
8 – FORKLIFT MAST	18
9A – INTEGRATED SIDE-SHIFT.....	20
9B – SIDE SHIFT ATTACHED FORK POSITIONER	22
10 – STEERING AXLE & BALLAST ASSEMBLY	24
11A – STEERING SHAFT (TOT SN.82142).....	26
11B – STEERING SHAFT (FROM SN.82143).....	28
12 – RIMS & TIRES	30
13 – HYDRAULIC DRIVE MOTORS	32
14 – HYDRAULIC RADIATOR COOLING	34
15 – HYDRAULIC LIFTING.....	36
16 – HYDRAULIC TILT CYLINDERS	38
17 – HYDRAULIC CONTROL INSTALLATION	40
18 – LIGHTING & ELECTRICAL.....	42

REMARKS

- Use this parts catalogue when ordering parts.
- Always state the serial number and the service number of the forklift. These numbers are embossed on the type plate on the dashboard of the forklift.
- When ordering parts, always state the correct part number and description.
- Some parts are only available as complete units, which is why no part number is given.
- This parts catalogue is subject to change without notification.

Prins Mechanisatie
Tuindersweg 37
2676 BD Maasdijk
The Netherlands

1 – SHEET METAL



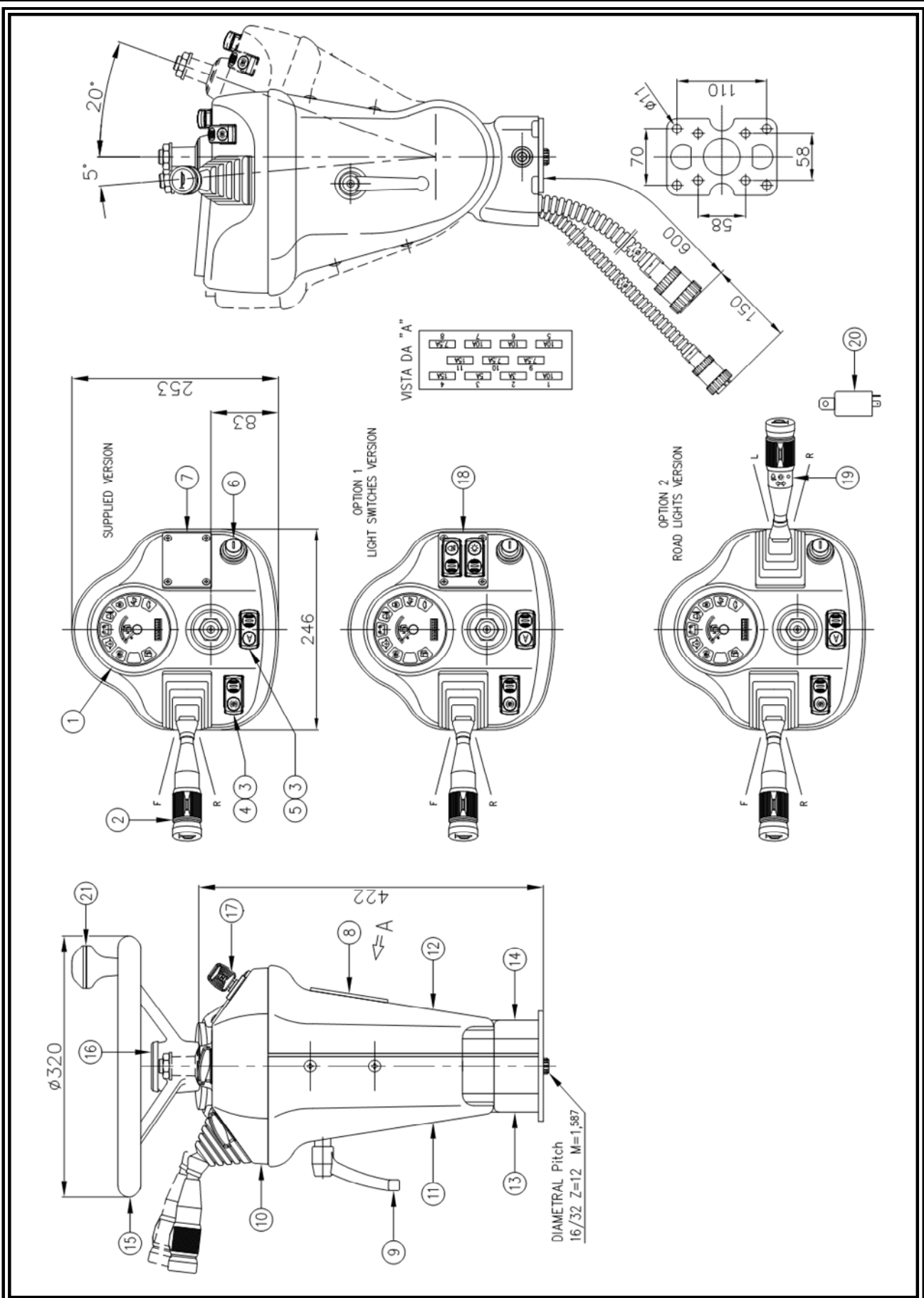
\\Sprinter\Onderdelenboek\Plaatwerk.sza

◀ SHEET METAL

<i>Pos.no.</i>	<i>Number</i>	<i>Description</i>	<i>Item number</i>
1	1	Safety cage	PH.1111
2a	1	Columbus air-sprung seat (default)	P12.0105
2b	1	Seat GS12 HT	P12.0109
2c	1	Seat KAB211	P12.0350
3	1	Safety belt	P12.0350.5
4	1	Engine cover	PH.0015
5	2	Hinge Engine cover	P80.1669
6	1	Damper	P12.0020
7	1	Latch Engine cover	P12.0524
8	1	Floor plate	PH.0199
9	1	Steering column	PH.0100
10	1	Dashboard	PH.0006
11	1	Horn	P01.0191



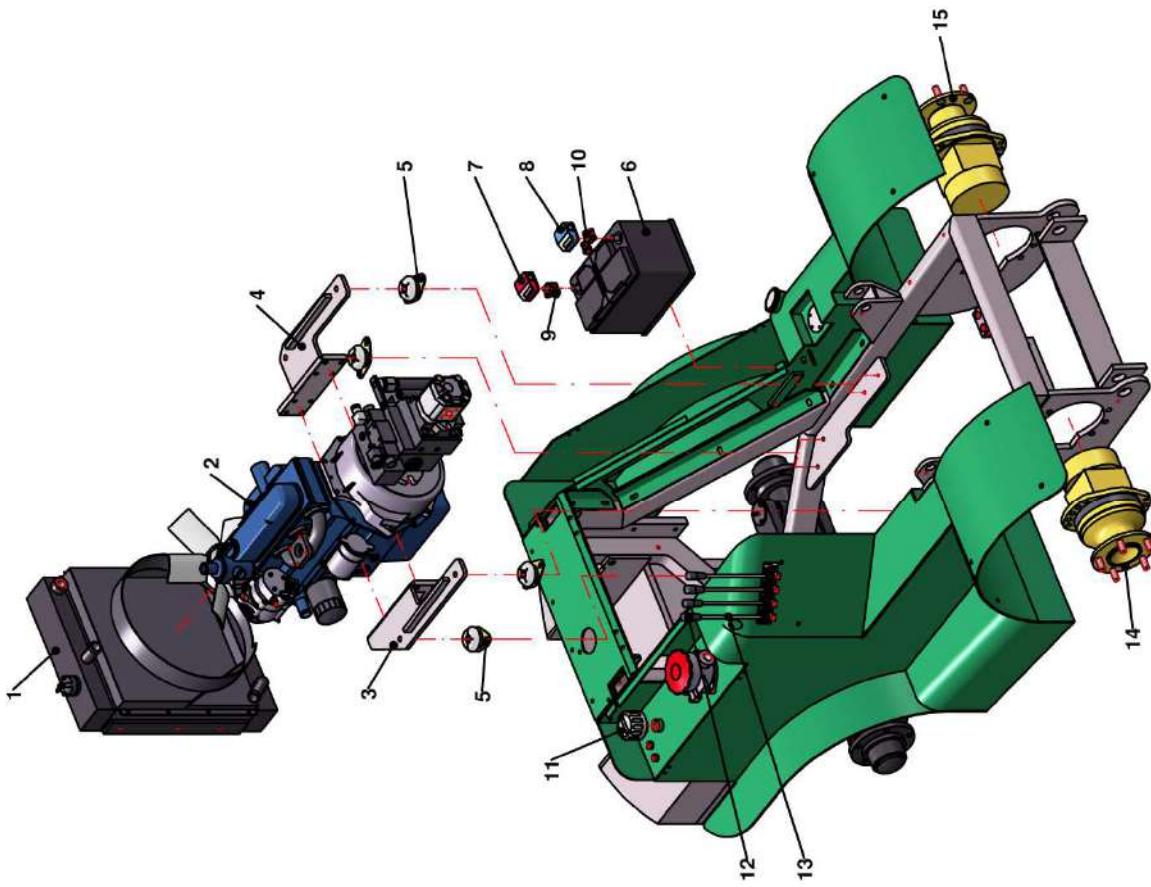
2 – STEERING COLUMN



◀ STEERING COLUMN

Pos.no.	Number	Description	Item number
1	1	Instrument panel	PH.0100.2
2	1	Forward / Reverse switch	PH.0100.1
3	2	Rocker switch	PH.0100.3
4	1	Switch	PH.0100.4
5	1	Switch	PH.0100.5
6	1	Ignition	PH.0101
7	1	Cap	PH.0100.6
8	1	Fuse box	PH.0100.7
9	1	Lever steering column	PH.0100.8
10	1	Dashboard	PH.0100.9
11	1	Top left cover	PH.0100.10
12	1	Top right cover	PH.0100.11
13	1	Bottom left cover	PH.0100.12
14	1	Bottom right cover	PH.0100.13
15	1	Steering wheel	P12.13030
16	1	Cover steering wheel	PH.13031
17	1	Ignition key	PH.0101.1
18	1	Cover Rocker switches	PH.0100.1
19	1	Switch road lights (option)	PH.0102
20	1	Flasher unit	PH.0102.1
21	1	Steering knob	P12.13030.1

3 – DRIVE TRAIN ASSEMBLY

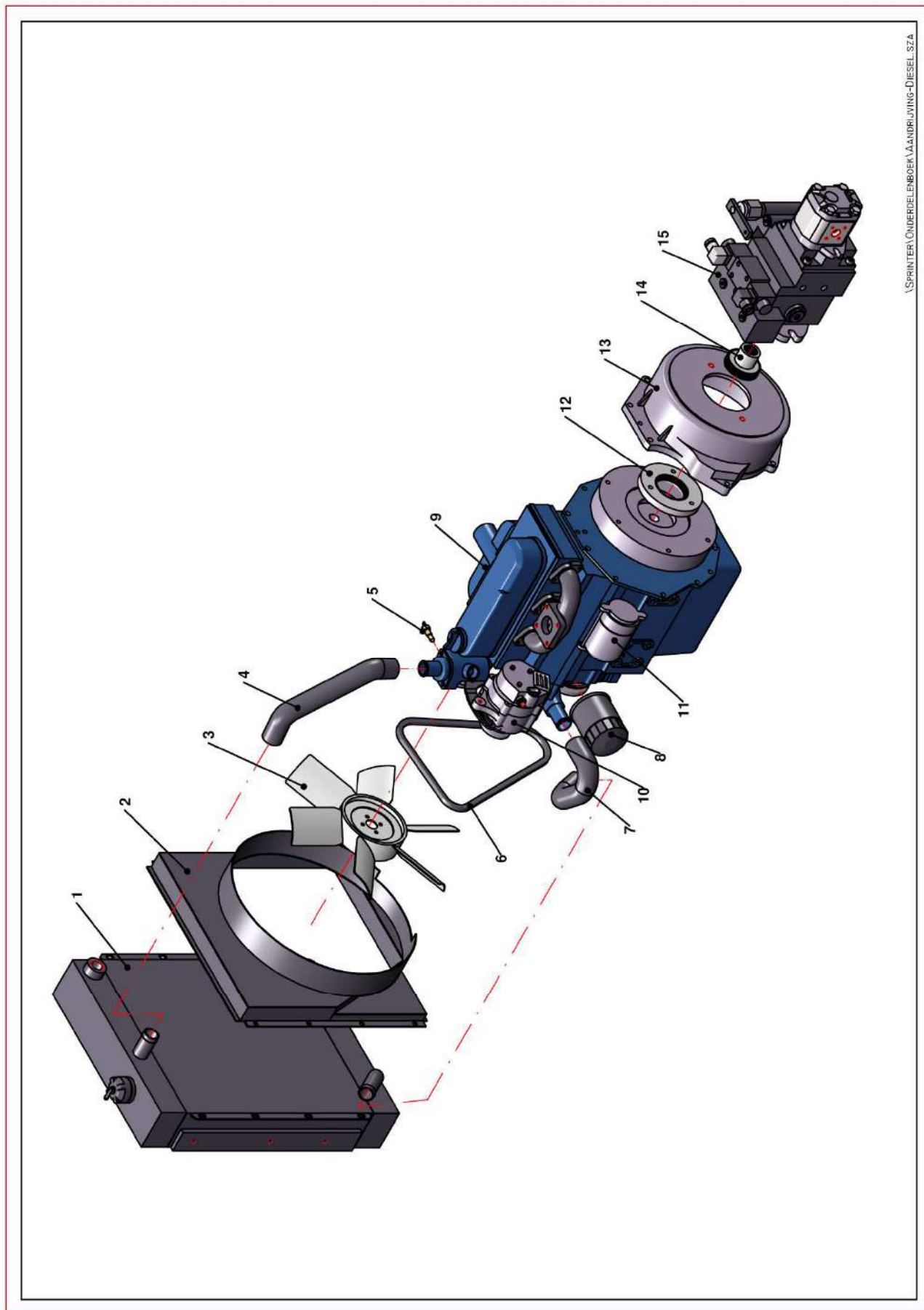


\\Sprinter\Onderdelenboek\Montage-Aandrijving-Diesel.sza

◀ DRIVE TRAIN ASSEMBLY

<i>Pos.no.</i>	<i>Number</i>	<i>Description</i>	<i>Item number</i>
1	1	Combi cooler	PH.FR6693920001
2	1	Kubota D1105 engine	M.31105.1
3	1	Right engine mount	PH.0001
4	1	Left engine mount	PH.0002
5	4	Vibration damper	P10.0026
6	1	Battery 12V 45Ah 190A	P01.54577A
7	1	Protective battery terminal cover, blue	P01.0059
8	1	Protective battery terminal cover, red	P01.0058
9	1	Neg. pole battery terminal	P01.0017.1
10	1	Pos. pole battery terminal	P01.0017
11	1	Hydraulic fluid reservoir filler cap	P02.0153
12	4	Valve lever knob	P02.220008.1
13	4	Valve lever	P02.220008.2
14	1	Right drive motor	PH.A06479S
15	1	Left drive motor	PH.A06482V

4 – DRIVE TRAIN

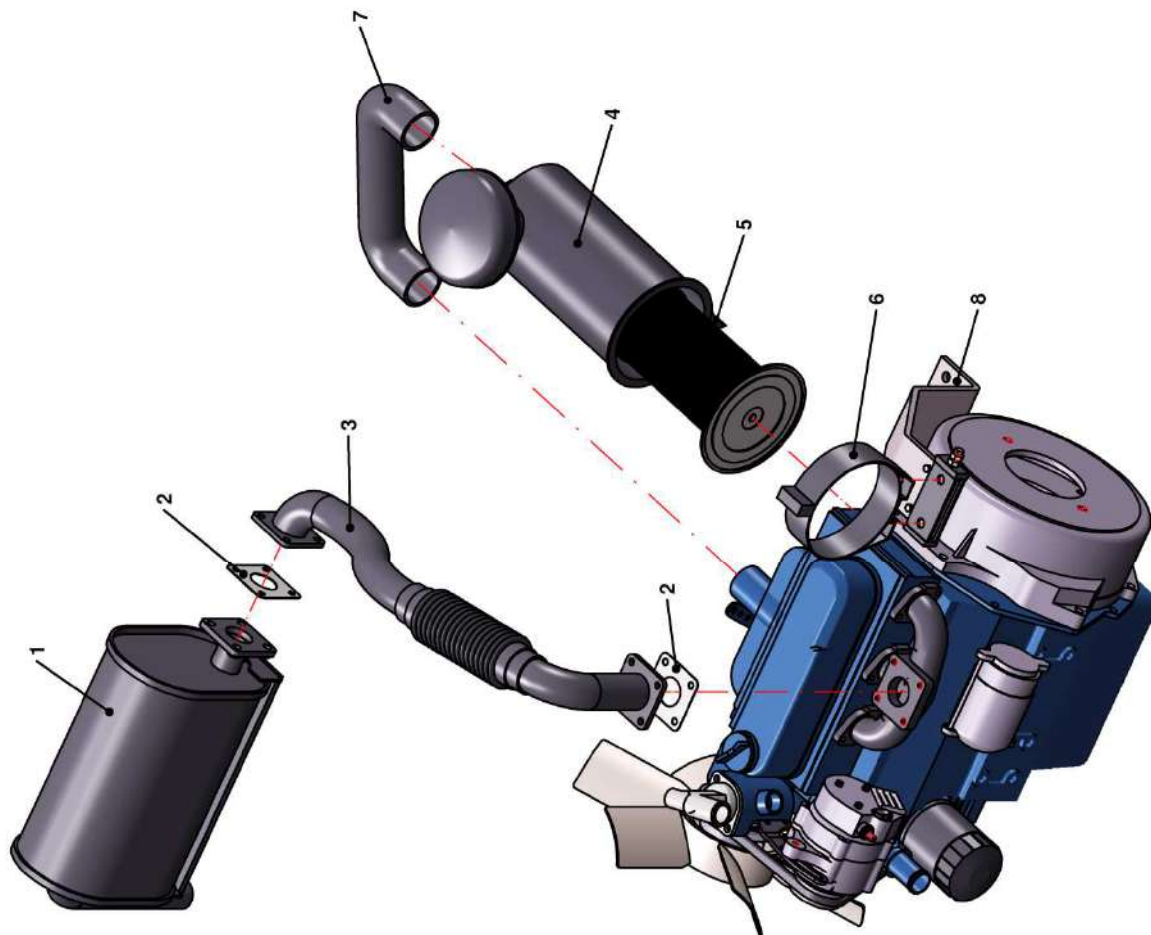


\\SPRINTER\ONDERDELENBOEK\VAANDRIJVING-DIESEL.SZA

◀ Drive train

<i>Pos.no.</i>	<i>Number</i>	<i>Description</i>	<i>Item number</i>
1	1	Combi cooler	PH.FR6693920001
2	1	Windtunnel combi cooler	PH.0150
3	1	Fan	K320
4	1	Upper radiator hose	BKS.8674
5	1	Temperature sensor	P01.0601
6	1	V-belt	16282.9701.0
7	1	Lower radiator hose	OKS.8675
8	1	Oil filter	HH160.3209.0
9	1	Kubota D1105 engine	M.31105.1
10	1	Alternator	16678.6401.0
11	1	Starter motor	K232
12	1	Carrier flange	AC.SM0200
13	1	Flywheel housing	AC.05SAEB
14	1	Carrier gear	AC.SM0223
15	1	Hydraulic pump	PH.M4PV28D235AR3BMV

5 – AIR MANAGEMENT

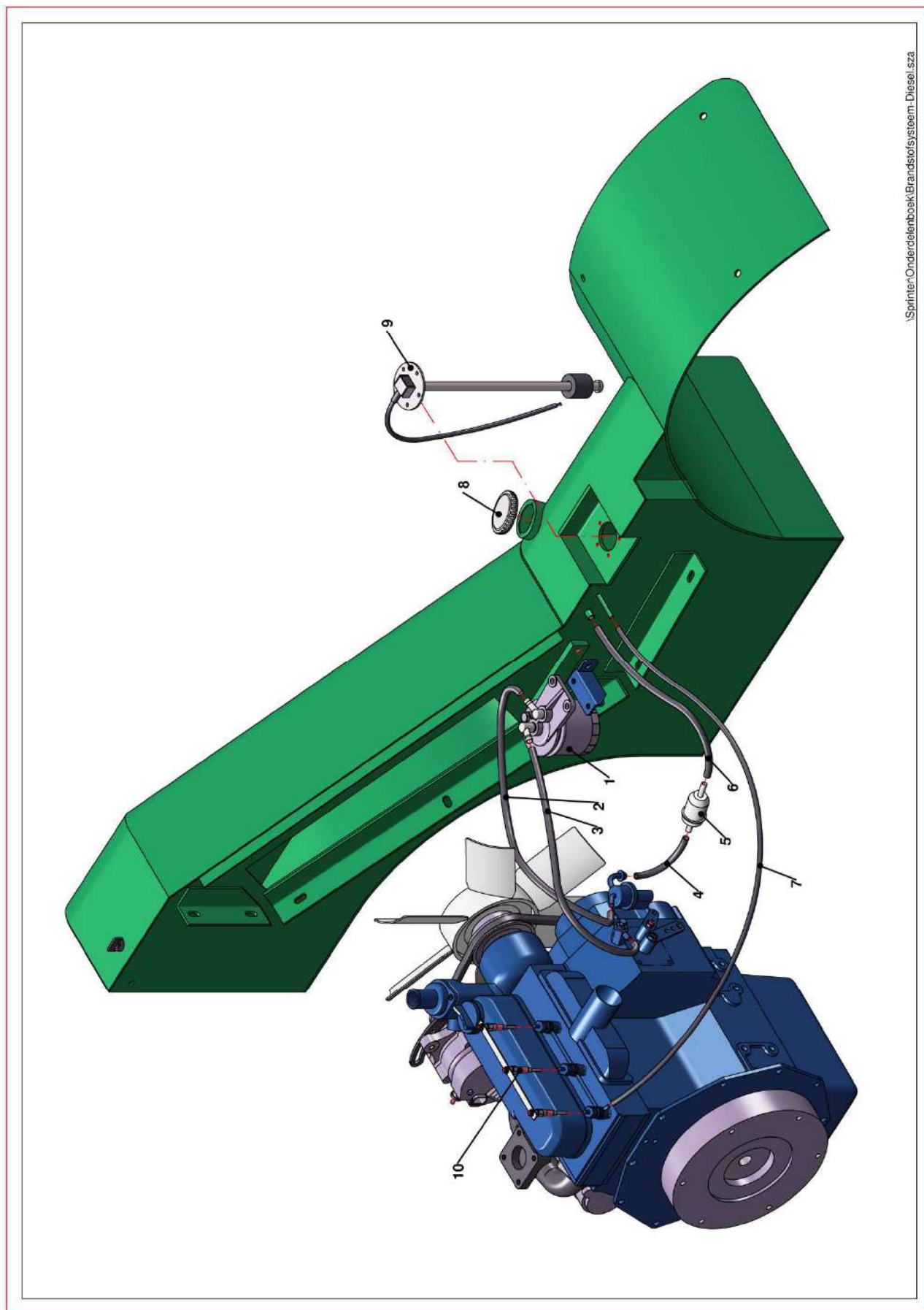


\\SPRINTER\ONDERDELENBOEK\LUCHTINHOUDING-DIESEL_SZA

◀ AIR MANAGEMENT

Pos.no.	Number	Description	Item number
1	1	Muffler	PH.3002050
2	2	Exhaust gasket	15263.1237.0
3	1	Exhaust taper	PH.2229
4	1	Air filter	K198
5	1	Air filter element	15741.1108.0
6	1	Air filter clamp	38430.1398.0
7	1	Intake manifold hose	16616.1162.1
8	1	Air filter mount	PH.666690

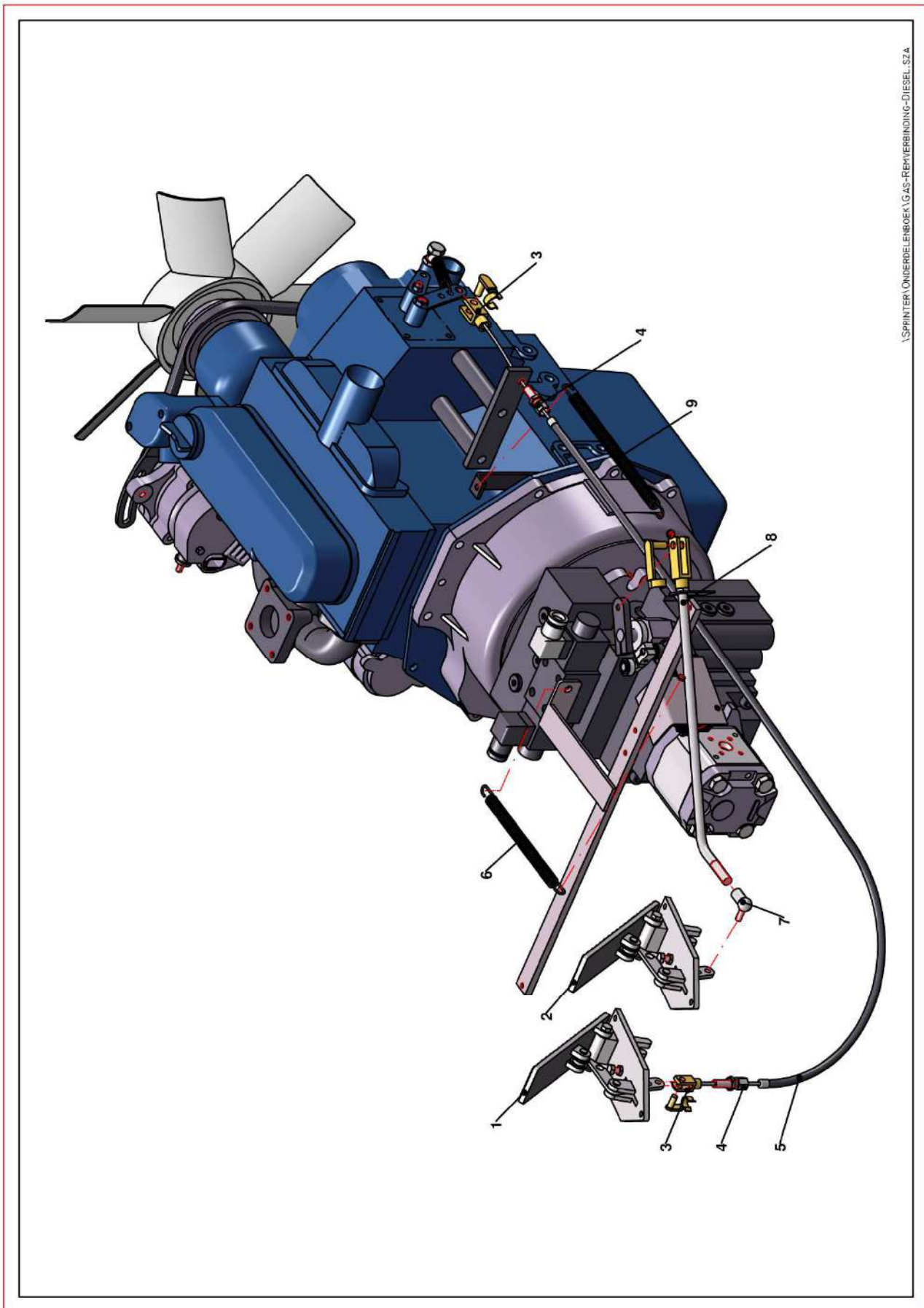
6 – FUEL SYSTEM



◀ FUEL SYSTEM

<i>Pos.no.</i>	<i>Number</i>	<i>Description</i>	<i>Item number</i>
1	1	Fuel filter element	15221.4308.0
2	1	Fuel supply hose 8mm x 600mm	P12.0529
3	1	Fuel supply hose 8mm x 260mm	P12.0529
4	1	Fuel supply hose 8mm x 480mm	P12.0529
5	1	Fuel filter	P11.1030.1
6	1	Fuel supply hose 8mm x 190mm	P12.0529
7	1	Fuel return hose 6mm x 500mm	19268.4252.0
8	1	Fuel filling cap	P12.0021
9	1	Fuel level sender	PH.1000
10	3	Glow plug	16851.6551.0

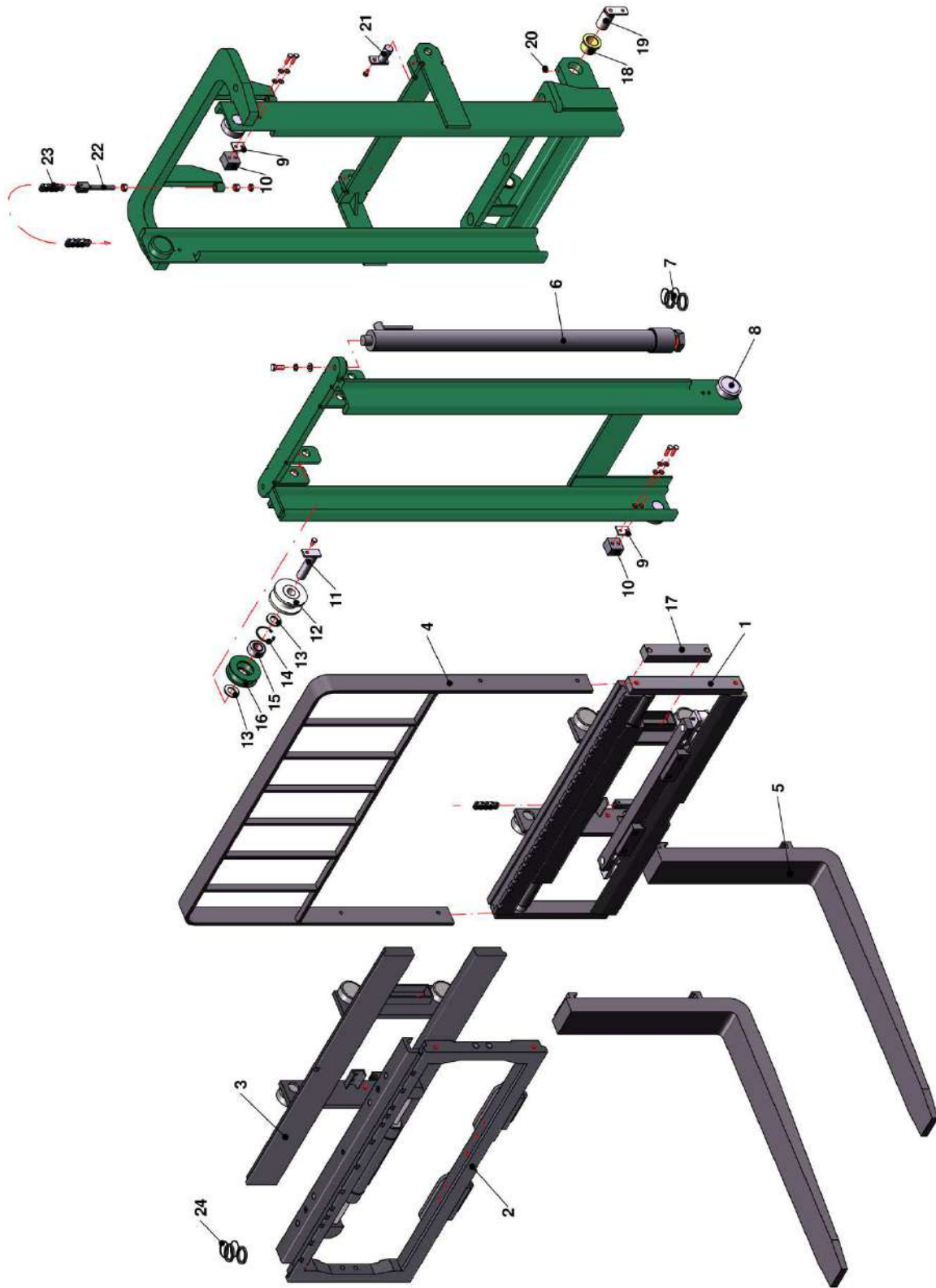
7 – THROTTLE AND BRAKE CONNECTION



◀ THROTTLE AND BRAKE CONNECTION

<i>Pos.no.</i>	<i>Number</i>	<i>Description</i>	<i>Item number</i>
1	1	Throttle pedal	P12.220012
2	1	Brake pedal	P12.220012
3	2	Linkage yoke M6 short	LA.570.0934
4	2	Cable adjustment bolt M8	P12.10002
5	1	Throttle cable	P12.10050
6	1	Tension spring	P12.0252
7	1	Ball joint M6	P12.0016
8	1	Brake rod	PH.1001
9	1	Tension spring	P12.0252

8 – FORKLIFT MAST



\\Printer\Onderdelenboek\Heifmast.sza

◀ FORKLIFT MAST

Pos.no.	Number	Description	Item number
1	1	Fork positioner with integrated Side-Shift	P80.1050
2	1	Side-Shift 1020mm for Attached fork positioner	55F-SSE-029
3	1	Attached fork positioner	P80.54545
4	1	Load backrest	P80.1052
5	2	Fork l=1000 mm	V100x35x10002
	2	Fork l=1200 mm	V100x35x12002
	2	Fork l=1300 mm	V100x35x13002
6	2	Lift cylinder 1780mm (M36 nut)	P80.0080
	2	Lift cylinder 2800mm (M36 nut)	P80.0090
7	~	Revision kit Lift cylinder	P80.0080.1
8	8	Forklift mast bearing	P15.0032
9a	4	Spacer plate thickness = 8mm	P80.0122
9b	4	Mast shim	P80.0048
10	4	Forklift mast slide block	PA.12.4.13
11	1 / 2	Mast roller lock pin	P80.105
12	1 / 2	Hydraulic hose guide roller	PA.12.4.5
13	2 / 4	Flat lock ring M24	P03.11.24.00
14	1 / 2	Retaining ring 52x2	P03.08.J52.00
15	1 / 2	Bearing 3205-2RS1	L.3205.2RS
16	1 / 2	Sprocket	PA.12.4.4
17	2	Fork positioner slider block	PA.100910
18	2	Bronze bearing	PA.100800
19	2	Forklift mast / frame axle	P80.18031
20	2	Grease nipple M6	P03.00007
21	2	Lock pin for Tilt cylinder / Mast	P80.107
22	2	Anchor bolt BL544 complete	PA.100110.3
23	2	Lift chain BL544 Mast 1780mm – 45 links	PA.100110.2
	2	Lift chain BL544 Mast 2800mm – 61 links	PA.100110.2
	2	Lift chain BL544 Mast 3000mm – 63 links	PA.100110.2
	2	Lift chain BL544 Mast 3200mm – 67 links	PA.100110.2
24	1	Revision kit Side Shift	P80.1050.14

9A – INTEGRATED SIDE-SHIFT



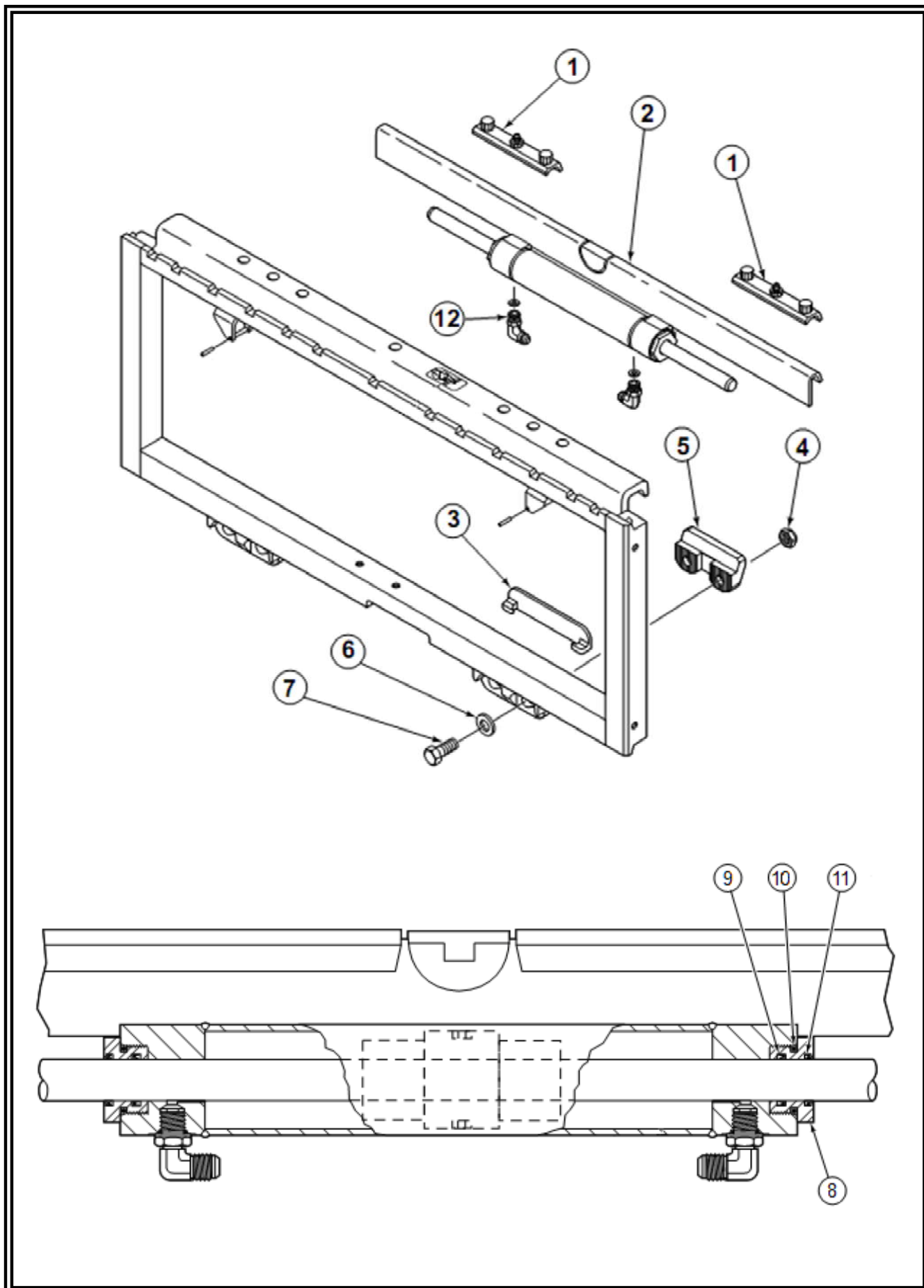
\\SPRINTER\ONDERDELENBOEK\SIDE-SHIFT.SZA

◀ INTEGRATED SIDE-SHIFT

Pos.no.	Number	Description	Item number
1	1	Mobile Frame	101230056CBO
2	1	Fixed Frame	101220436CBO
3	2	Top plate	101230420CBO
4	2	Top plate fastener	101230421CBO
5	4	Forklift mast bearing	P15.0032
6	2	Grease nipple	47065007BO
7	2	Gasket	41041326BO
8	2	Slider block	101230003CBO
9	2	Ring	41041327BO
10	2	Elastic ring	42038101BO
11	2	Cylinder rod	101230004CBO
12	2	Shaft	101230035ZBO
13	2	Grease nipple	47065001BO
14	2	Grease nipple	47065006BO
15	2	Top bearing holder	101230030ZBO
16	4	Shaft	101230029ZBO
17	4	Guide bearing	40033053BO
18	2	Bottom bearing holder	101230031ZBO
19	4	Lock pin	46063017BO
20	2	Bottom lock plate	101230198CBO
21	4	Bolt	44046501BO
22	2	End block BL544	PA.100110.1

Pos.nos.	Kit	Item number
	Fork positioner with integrated Side-Shift complete	P80.1050
12-19	Guide right	141230032CBO
12-19	Guide left	141230033CBO

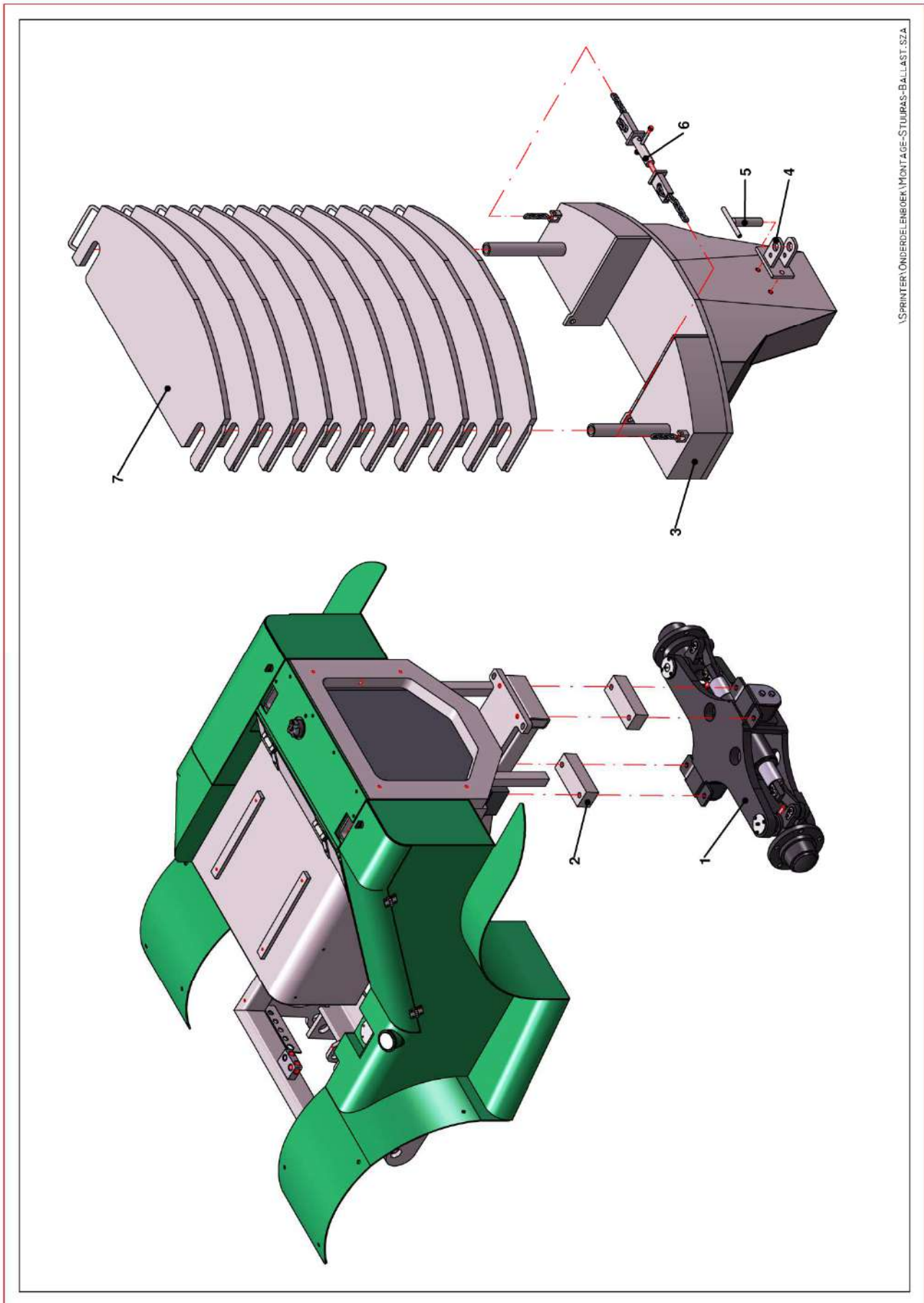
9B – SIDE SHIFT ATTACHED FORK POSITIONER



◀ SIDE SHIFT ATTACHED FORK POSITIONER

Pos.no.	Number	Description	Item number
1	2	Sliding strip top	228782CA
2	1	Side Shift cylinder	SP210061CAS
3	2	Plain bearing bottom	225570CA
4	4	Nut M16x2	P80.1050.15
5	2	Sliding strip bottom	204186CA
6	4	Washer	P80.1050.16
7	4	Bolt M16x45	P80.1050.32
8	2	Seal cylinder	P80.1050.18
9	2	Cap cylinder rod	P80.1050.21
10	2	O Ring seal	P80.1050.20
11	2	Seal	P80.1050.19
12	2	Threaded fitting	P80.1050.17

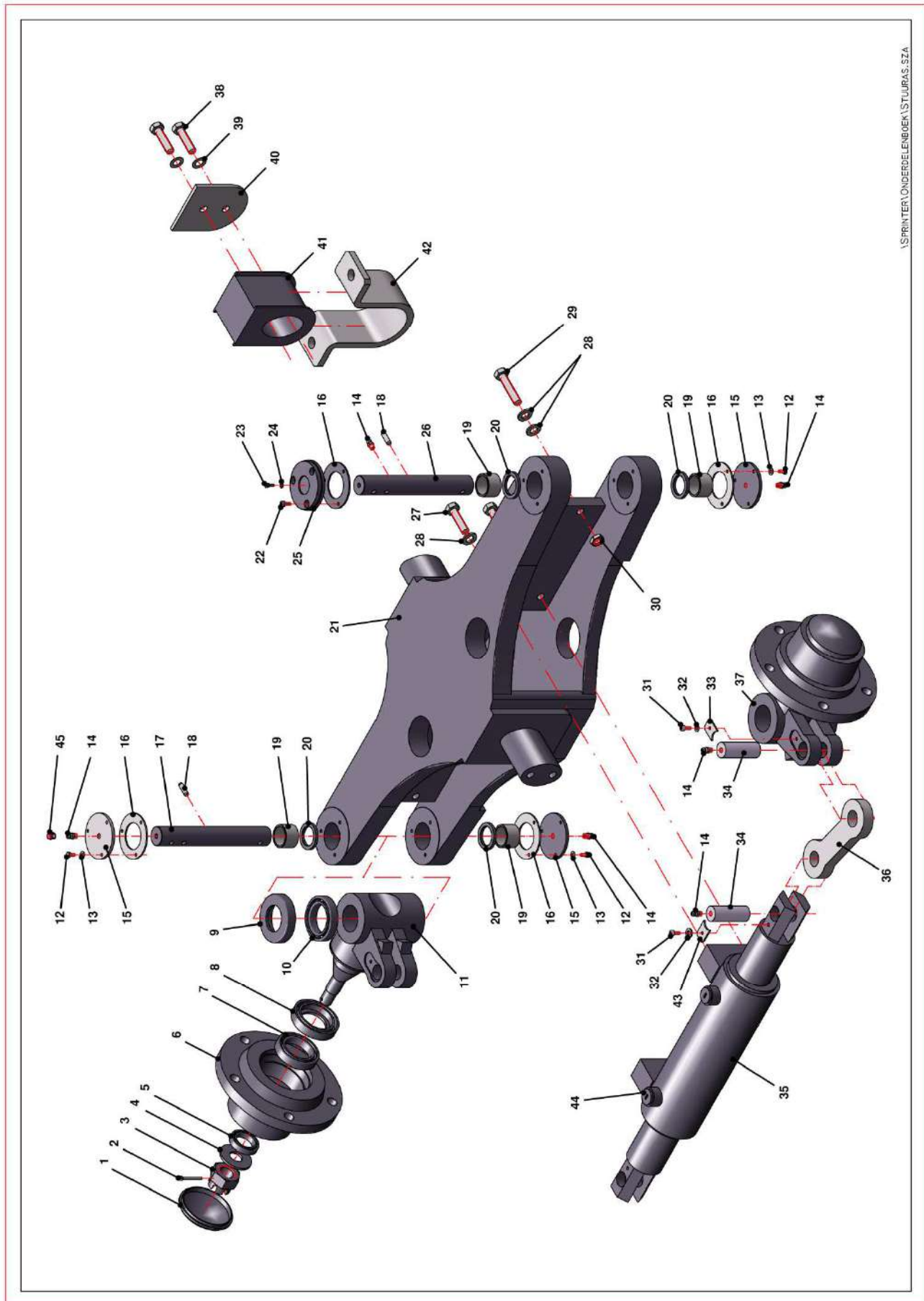
10 – STEERING AXLE & BALLAST ASSEMBLY



◀ STEERING AXLE & BALLAST ASSEMBLY

<i>Pos.no.</i>	<i>Number</i>	<i>Description</i>	<i>Item number</i>
1	1	Steering axle	P80.2002
2	2	Mounting block 45mm	P80.0097
3	1	Counterweight	PH.0021
4	1	Towbar	PA.12.7.5
5	1	Hitch pin	P12.50202
6	1	Chain tensioner	PH.6060
7	~	Ballast plate	PH.0030

11A – STEERING SHAFT (TOT SN.82142)



\\SPRINTER\ONDERDELENBOEK\STUURAS.SZA

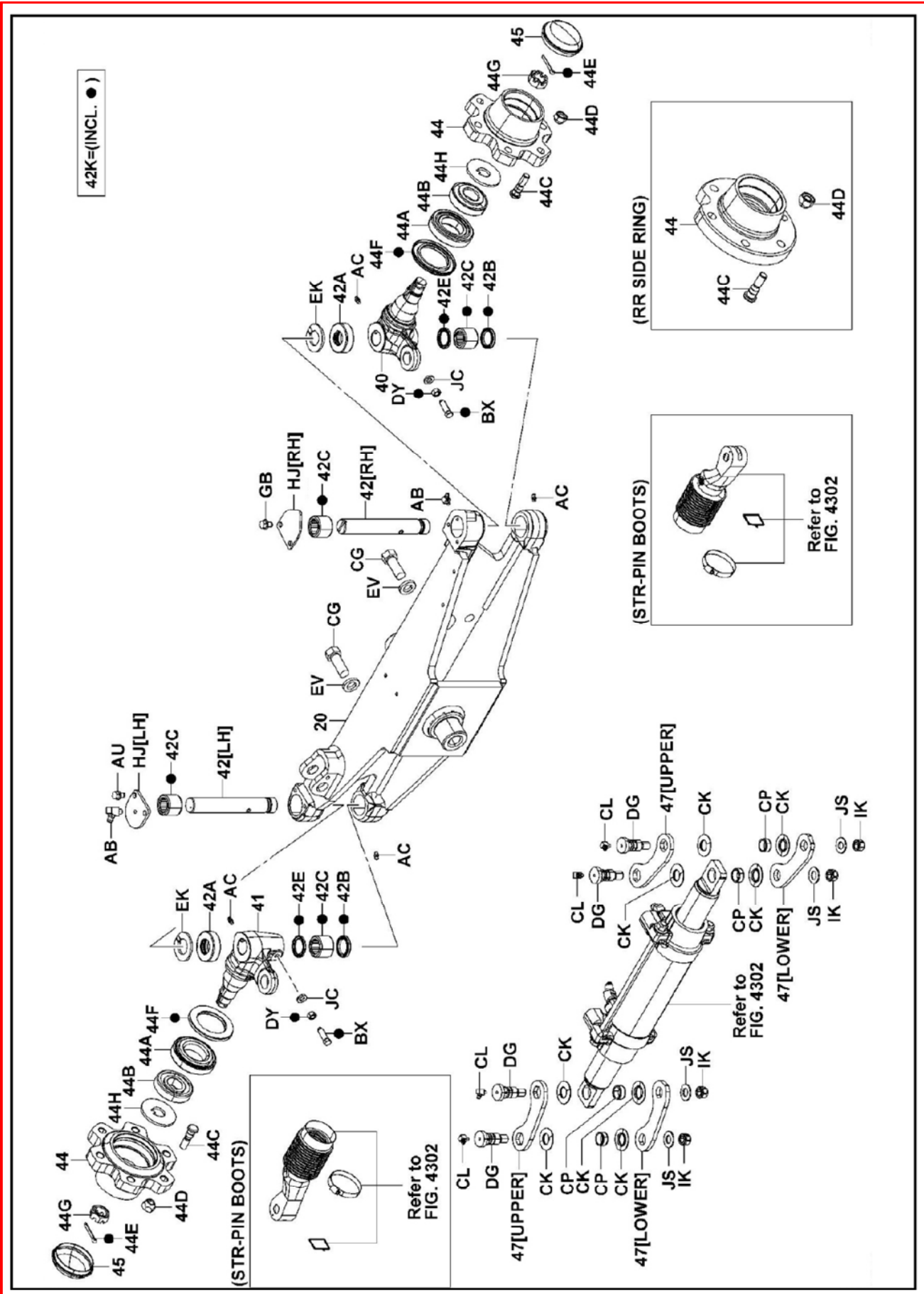
◀ STEERING SHAFT (UNTIL SN.82142)

Pos.no.	Number	Description	Item number
1	2	Cover	P80.2020
2	2	Split pin	P80.2021
3	2	Nut M24x2	P80.2022
4	2	Ring	P80.2023
5	2	Bearing	P80.2024
6	2	Hub	P80.2025
7	2	Bearing	P80.2026
8	2	Retaining ring	P80.2027
9	2	Dust cover	P80.2028
10	2	Bearing	P80.2029
11	1	Stub axle left	P80.2030
12	9	Screw M5x16	P80.2031
13	9	Ring	P80.2032
14	6	Lubricating nipple M6	P80.2033
15	3	Cover	P80.2034
16	4	Gasket	P80.2035
17	1	Stub axle pin left	P80.2036
18	2	Pin	P80.2037
19	4	Bearing	P80.2038
20	4	Sealing ring	P80.2039
21	1	Steering shaft housing	P80.2040
22	3	Screw	P80.2041
23	1	Shaft	P80.2042
24	1	Nut M6	P80.2043
25	1	Supporting ring	P80.2044
26	1	Stub axle pin right	P80.2045
27	4	Bolt M12x35	P80.2046
28	8	Ring M12	P80.2047
29	2	Bolt M12x50	P80.2048
30	2	Nut M12	P80.2049
31	4	Screw M6x14	P80.2050
32	4	Ring	P80.2051
33	2	Locking plate stub axle	P80.2052
34	2	Steering cylinder pin	P80.2053
35	1	Steering cylinder	P80.2054
36	2	Stub axle connecting rod	P80.2055
37	1	Stub axle right	P80.2056
38	4	Bolt M10x25	P80.2057
39	4	Washer	P80.2058
40	2	Locking plate rubber	P80.2059
41	2	Rubber steering shaft	P80.2060
42	2	Rubber mounting	P80.2061
43	2	Cylinder locking plate	P80.2062
44	2	Plug	P80.2063
45	6	Cap for lubricating nipple	P80.2064

Pos.nrs.	Kit	Item number
1-44	Steering shaft complete	P80.2002
38-42	Shaft tilt kit steering shaft	P80.2100
30-31; 35; 44	Cylinder kit steering shaft	P80.2300
2-4; 9-11; 17-18	Stub axle left complete	P80.2400
2-4; 9-10; 14; 18; 23-24; 26; 37	Stub axle right complete	P80.2500
1; 5-8	Hub complete	P80.2600
14; 31-34; 36; 43	Connecting rod kit	P80.2700



11B – STEERING SHAFT (FROM SN.82143)

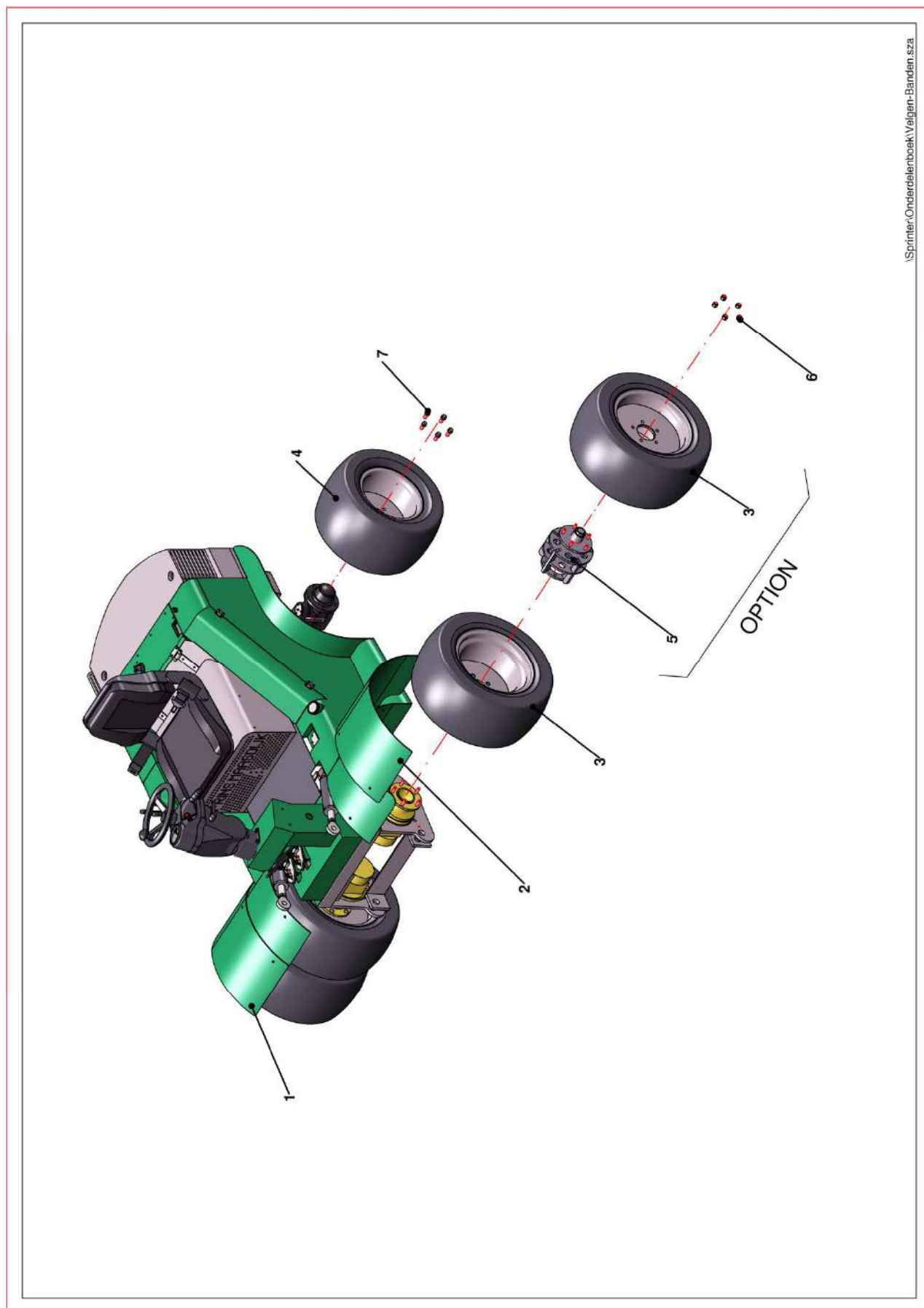


◀ STEERING SHAFT (FROM SN.82143)

Pos.no.	Number	Description	Item number
20	1	Beam sub-assy, RR axle	43101F118071
40	1	Knuckle, steering, RH	43251F110071
41	1	Knuckle, steering, LH	43261F110071
42	2	Pin, steering knuckle king	43232F218071
42A	2	Bearing, steering knuckle thrust	432291331071
42B	2	Seal, oil, nø1	432332332071
42C	4	Bearing, needle	432282332071
42E	2	Seal, oil, nø2	432422332071
42K	2	Seal kit, king pin	44321012071
44	2	Hub, rear axle	438111048171
44	2	Hub, rear axle with side rings	438131200071
44A	2	Bearing, inner	903664510471
44B	2	Bearing, outer	976003030671
44C	12	Bolt, hub	901141201271
44D	12	Nut, hub	901791200471
44E	2	Pin, rr axle cotter	853817603871
44F	2	Seal, oil	438212200071
44G	2	Nut, castle	901712411671
44H	2	Washer, claw	431552054071
45	2	Cap, rear axle hub	438212054071
47	2	Tie-rod upper	437512344071
47	2	Tie-rod, lower	437522344271
AB	2	Grease nipple	964560060971
AC	5	Grease nipple	964510060071
AU	2	Bolt	815517600971
BX	2	Bolt	901091001571
CG	4	Bolt	911626148571
CK	8	Washer, claw	437552344071
CL	4	Fitting	964560060971
CP	4	Collar	437352344071
DG	4	Pin	437312344271
DY	2	Nut	901701000271
EK	0	Spacer [t=3,0]	432212342071
EK	0	Spacer [t=4,0]	432232342071
EK	0	Spacer [t=3,5]	432222342071
EK	0	Spacer [t=4,5]	432242342071
EV	4	Washer	902041800271
GB	2	Bolt	815517600971
HJ	1	Plate, RH	43237FPD2071
HJ	1	Plate, LH	432371331071
IK	4	Nut, self lock	901791400271
JC	2	Washer	902041000371
JS	4	Washer	846127600171

Pos.nrs.	Kit	Item number
01	Steering shaft complete	43110FPD1071
01	Steering shaft complete w/ side ring	43120FPD1071
01	Steering shaft complete w/ Str-pin boots	43130FPD1071
01	Steering shaft complete w/ Str-pin boots and side ring	43140FPD1071

12 – RIMS & TIRES



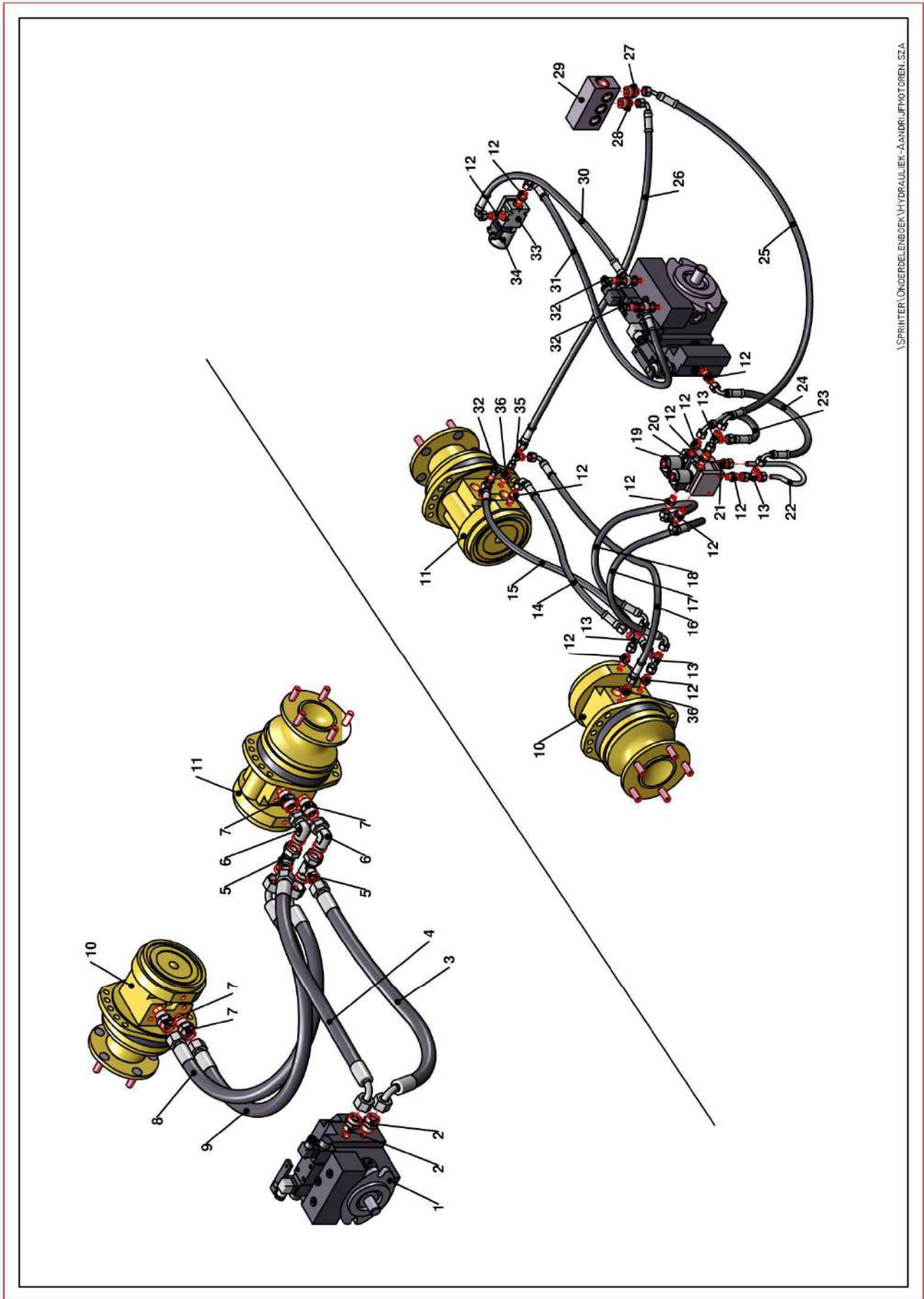
I:\Sprinter\Onderdelenboek\Valgen-Banden.sza

◀ RIMS & TIRES

Pos.no.	Number	Description	Item number
1	1	Front fender dual wheels Right	PH.0031
2	1	Front fender dual wheels Left	PH.0032
3	2/4	Drive wheel grey 27x14LL-15 complete	PH.0050
3a	2/4	Outer tire 27x14LL-15	P04.01215
3b	2/4	Rim grey 27x14LL-15	PH.0052
4	2	Rear wheel grey 24x13-12 complete	PE.0051
4a	2	Outer tire 24x13-12	P04.01213
4b	2	Rim grey 24x13-12	PE.0035
5	2	Free wheeling hub (optional)	PH.2065
6	10	Lug nut	PA.100011
7	10	Lug bolt	P80.1060.5



13 – HYDRAULIC DRIVE MOTORS

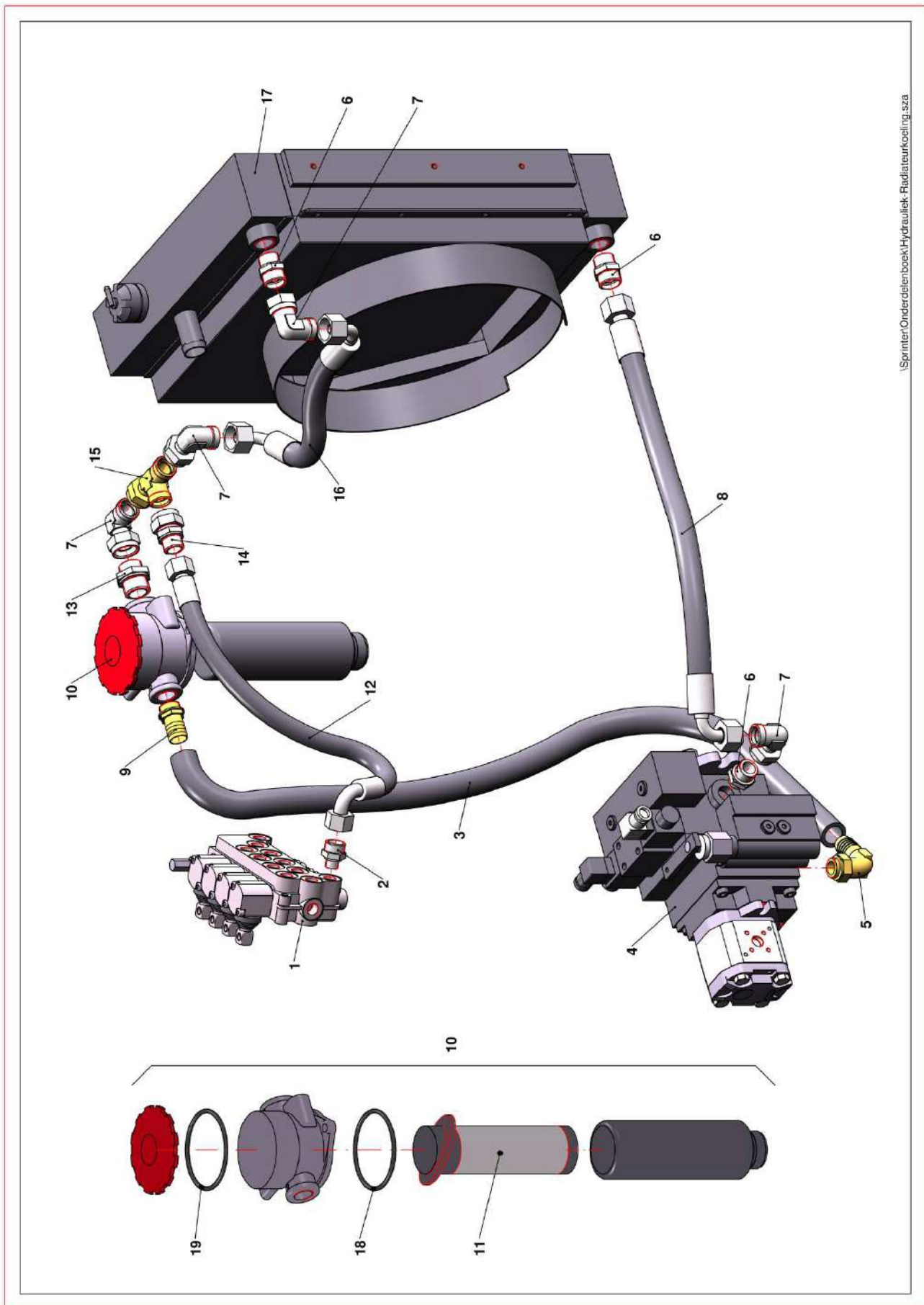


\\SPRINTER\ONDERDELEN\DEK\HYDRAULIEK-AANDRIJFMOTOREN_SZA

◀ HYDRAULIC DRIVE MOTORS

Pos.no.	Number	Description	Item number
1	1	Hydraulic pump	PH.M4PV28D235AR3BMV
2	2	Threaded fitting ¾ - 20	H.0333
3	1	Hydraulic hose nr.35	PH.2131
4	1	Hydraulic hose nr.36	PH.2131
5	2	T-fitting 20mm	H.1115
6	2	Elbow fitting 20mm	H.1212
7	4	Threaded fitting ½ - 20	H.0332
8	1	Hydraulic hose nr.33	PH.2129
9	1	Hydraulic hose nr.34	PH.2130
10	1	Drive motor Links	PH.A06482V
11	1	Drive motor Right	PH.A06479S
12	11	Threaded fitting ¼ - 10	H.0314
13	4	T-fitting 10mm	H.1118
14	1	Hydraulic hose nr.4	PH.2103
15	1	Hydraulic hose nr.24	PH.2123
16	1	Hydraulic hose nr.2	PH.2101
17	1	Hydraulic hose nr.12	PH.2111
18	1	Hydraulic hose nr.5	PH.2104
19	2	Coil 12v 08EG	PH.4305862
20	2	3-way valve	PH.7028720
21	1	Threaded fitting ¼" - 10	H.0314
22	1	Hydraulic lead 10mm x 400mm	P60.10400KP
23	1	Hydraulic hose nr.7	PH.2106
24	1	Hydraulic hose nr.3	PH.2102
25	1	Hydraulic hose nr.39	PH.2134
26	1	Hydraulic hose nr.1	PH.2100
27	1	Threaded fitting ½" x ¼"	H.0102
28	1	Threaded fitting ½" x 8	H.0343
29	1	Return block	PH.0018
30	1	Hydraulic hose nr.25	PH.2124
31	1	Hydraulic hose nr.26	PH.2125
32	2	Banjo bolt ¼"	H.1302
33	1	2-way valve	PH.7028230
34	1	Coil 12v 10/12/16EG	PH.4305882
35	1	T-fitting 8mm	H.1109
36	2	Threaded fitting ¼" - 8	H.0315

14 – HYDRAULIC RADIATOR COOLING

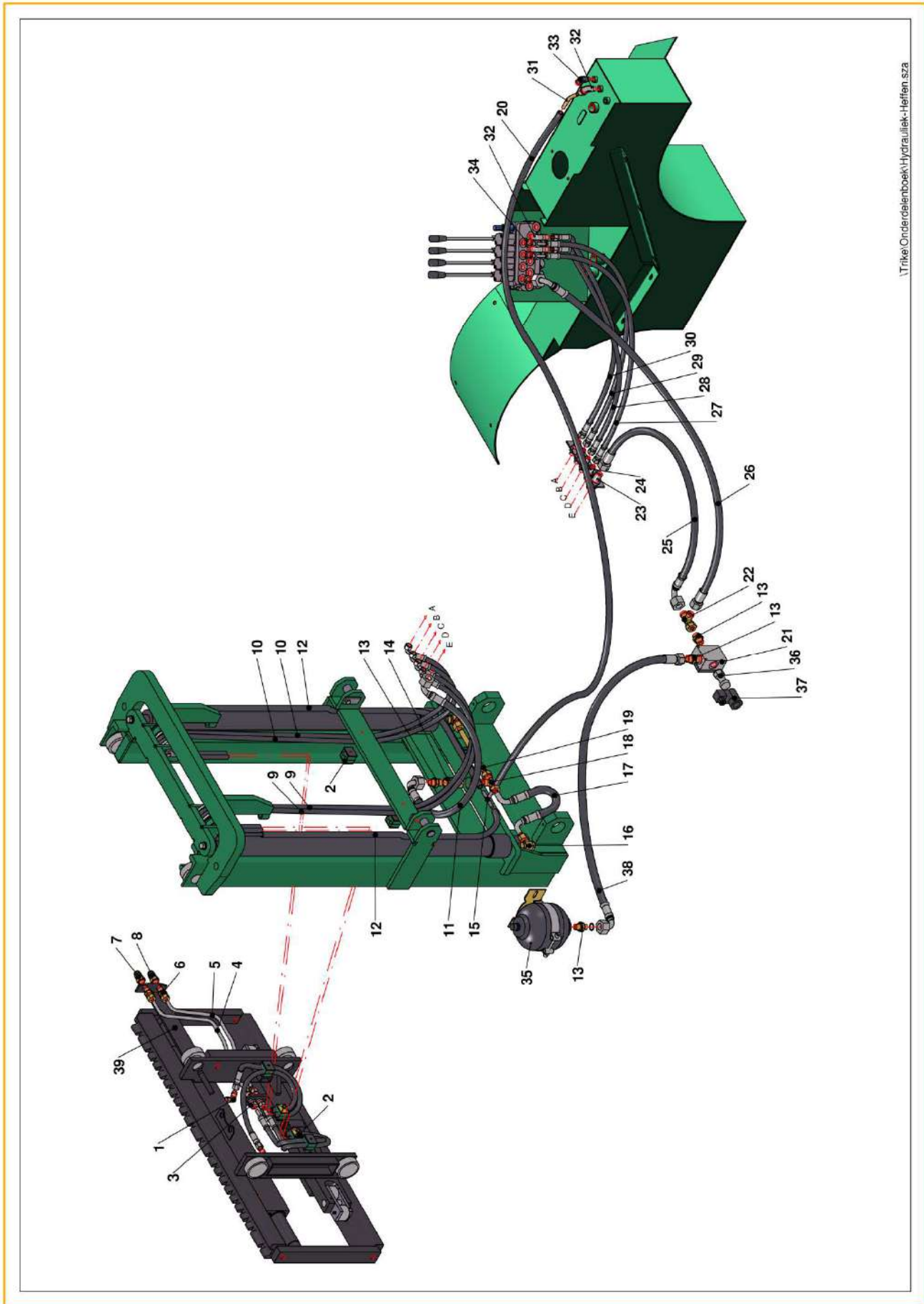


Sprinter\Onderdelenboek\Hydrauliek\Radialeurkoeling.sza

◀ HYDRAULIC RADIATOR COOLING

Pos.no.	Number	Description	Item number
1	1	4-Valve block	PH.DO6DE4BACDZ180126
2	1	Threaded fitting 3/8" - 18	H.0330
3	1	Hose no.69	PH.2169
4	1	Hydraulic pump	PH.M4PV28D235AR3BMV
5	1	Adjustable suction nipple	PH.15510000181
6	3	Threaded fitting 3/4" x 22	H.0336
7	3	Elbow fitting 22mm	H.1213
8	1	Hydraulic hose nr.38	PH.2133
9	1	Hose nipple 3/4" - 25mm	PH.15508000186
10	1	Combo filter 10mu complete	PH.K041301
11	1	Hydraulic filter element	P762421DT
12	1	Hydraulic hose nr.23	PH.2122
13	1	Threaded fitting 1" x 22	H.0334
14	1	Reduction nipple 18 - 22	H.0345
15	1	T-fitting L22	H.1110
16	1	Hydraulic hose nr.22	PH.2121
17	1	Combi cooler	PH.FR6693920001
18	1	O-Ring filter	PH.K041301.2
19	1	O-Ring hood	PH.K041301.1

15 – HYDRAULIC LIFTING

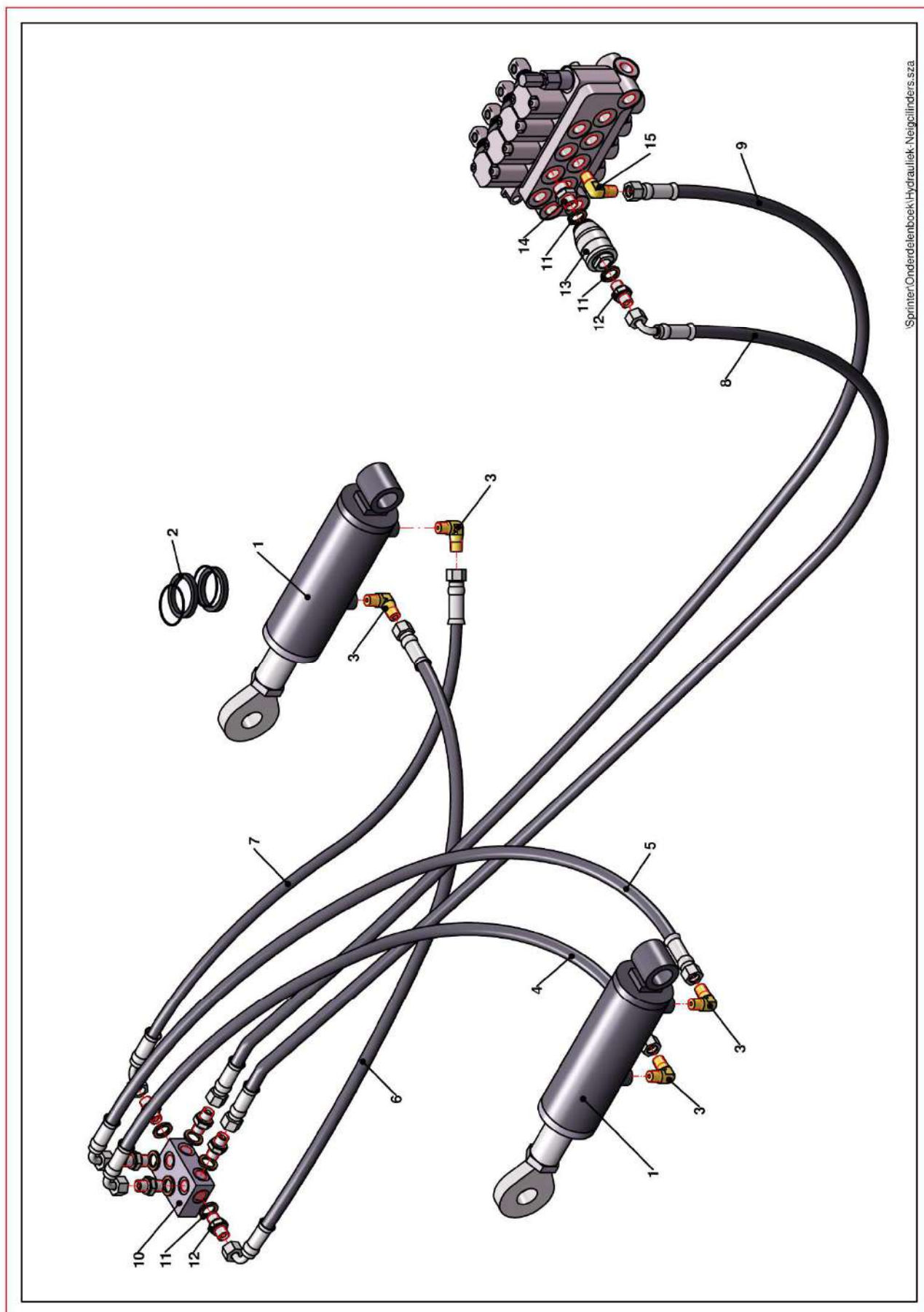


\\Trike\Onderdelenboek\Hydrauliek-Heffen.sza

◀ HYDRAULIC LIFTING

Pos.no.	Number	Description	Item number
1	2	Threaded fitting M14xJIC6	H.0409
2	6	Line clamp double 12mm	H.1603
3	2	Bulkhead fitting 10-10-90°	H.1702
4	1	4 th Valve line 10mm top	BK.267600
5	1	4 th Valve line 10mm bottom	OK.267600
6	2	Threaded fitting 3/8" - 10	H.1307
7	1	Quick-release coupling 3/8" Female	H.0806
8	1	Quick-release coupling 3/8" Male	H.0802
9a	1	Hydraulic hose 4 th Valve	PH.2160
9b	1	Hydraulic hose 4 th Valve	PH.2161
10	2	Hydraulic hose no. 62	PH.2162
11	1	Hydraulic hose no. 37	PH.2137
12	2	Return hose int. 10mm x 1500mm	P12.0397
13	6	Reduction nipple 1/2" - 15mm	H.0313
14	1	Reducing hexagon nipple 1/2"	PA.12.9.9
15	1	Y-fitting return	PA.100013
16	2	Banjo nipple	H.0346
17	1	Hydraulic hose no. 66	PH.2166
18	1	T-fitting 15 - 1/2" - 15	H.1112
19	1	High pressure line 15mm x 222mm	400361.L
20	1	Return hose 10mm (inside) x 2000mm	P12.0397
21	2	Electric valve 2-2 NC 1/2"	PE.0048
22	2	T-fitting 15 - 15 - 15	H.1111
23	1	Bulkhead fitting 15mm	H.0707
24	4	Bulkhead fitting 10mm	H.0701
25	1	Hydraulic hose no. 20	PH.2119
26	1	Hydraulic hose no. 21	PH.2020
27	1	Hydraulic hose no. 11	PH.2111
28	1	Hydraulic hose no. 10	PH.2110
29	1	Hydraulic hose no. 9	PH.2109
30	1	Hydraulic hose no. 6	PH.2106
31	1	Hydraulic line 10mm x 80mm - 45°	400161.GB
32	4	Threaded fitting 1/4" - 10 - 90°	H.0303
33	1	Venting clutch	P80.2003.1
34	3	Threaded fitting 1/4" - 10	H.0314
35	1	Accumulator 20 bar incl. bracket	H1000R20BAR
36	2	Cartridge 1/2 NC	PE.0048.4
37	2	Coil 12V for 2/2 valve	PE.0048.2
38	1	Hydraulic hose no. 65	PH.2165
39	1	Support 4 th Valve	P80.1054

16 – HYDRAULIC TILT CYLINDERS

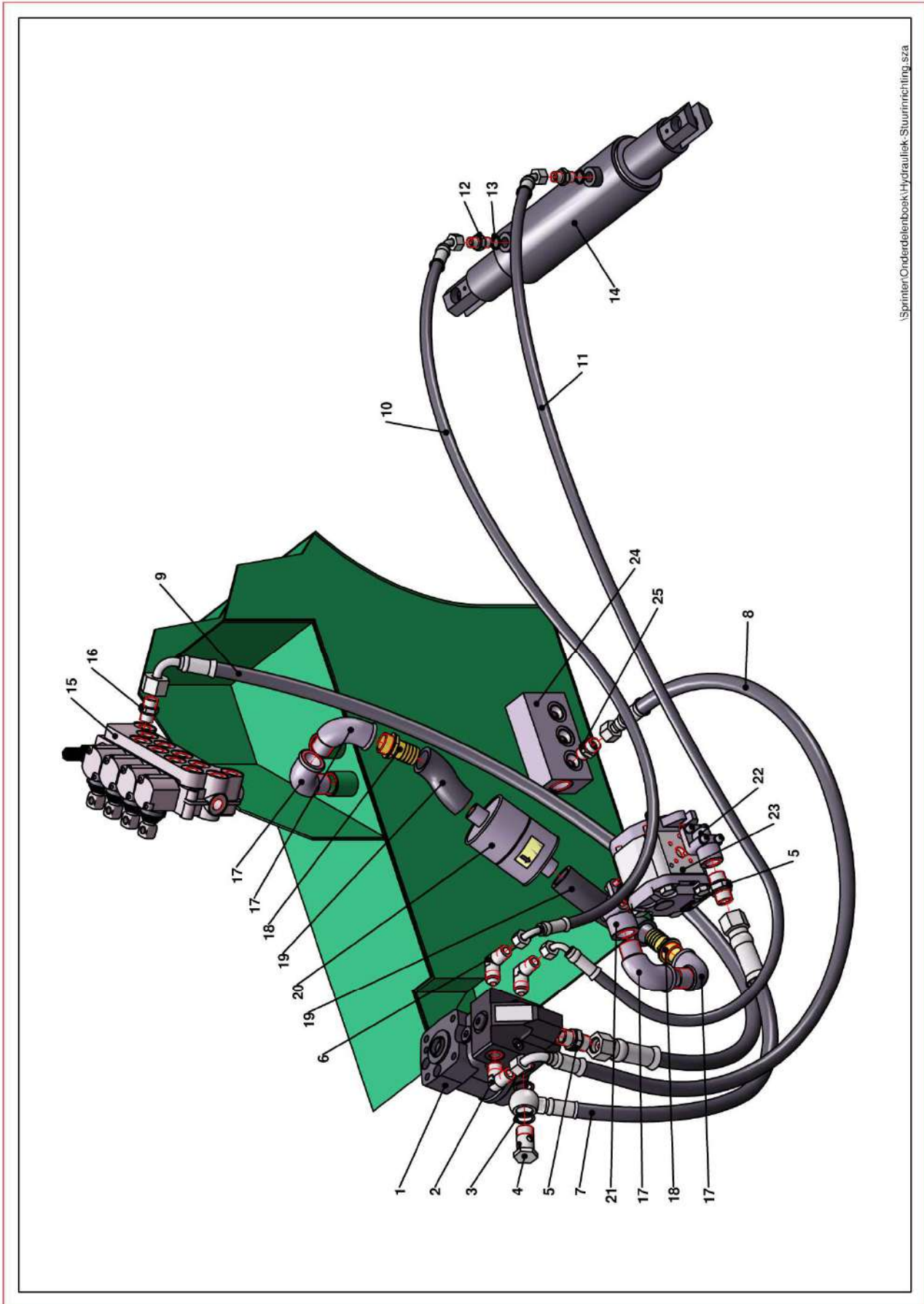


Sprinter/Onderdelenboek/Hydrauliek/Neigcilinders.sza

◀ HYDRAULIC TILT CYLINDERS

Pos.no.	Number	Description	Item number
1	2	Tilt cylinder	P80.2070
2		Tilt cylinder retaining ring kit	DC253560000KR
3	4	Threaded fitting 1/4 - 10 - 90°	H.0303
4	1	Hydraulic hose no.17	PH.2017
5	1	Hydraulic hose no.16	PH.2016
6	1	Hydraulic hose no.18	PH.2018
7	1	Hydraulic hose no.15	PH.2015
8	1	Hydraulic hose no.14	PH.2014
9	1	Hydraulic hose no.13	PH.2013
10	1	Bypass block	P80.0045
11	8	Copper ring	P12.0387
12	7	Reducing nipple 1/4" – 10	H.0103
13	1	Throttle check valve	P02.220009.1
14	1	Reducing nipple 1/4" - 3/8"	H.0104
15	1	Threaded fitting 3/8" - 10 - 90°	H.0305

17 – HYDRAULIC CONTROL INSTALLATION

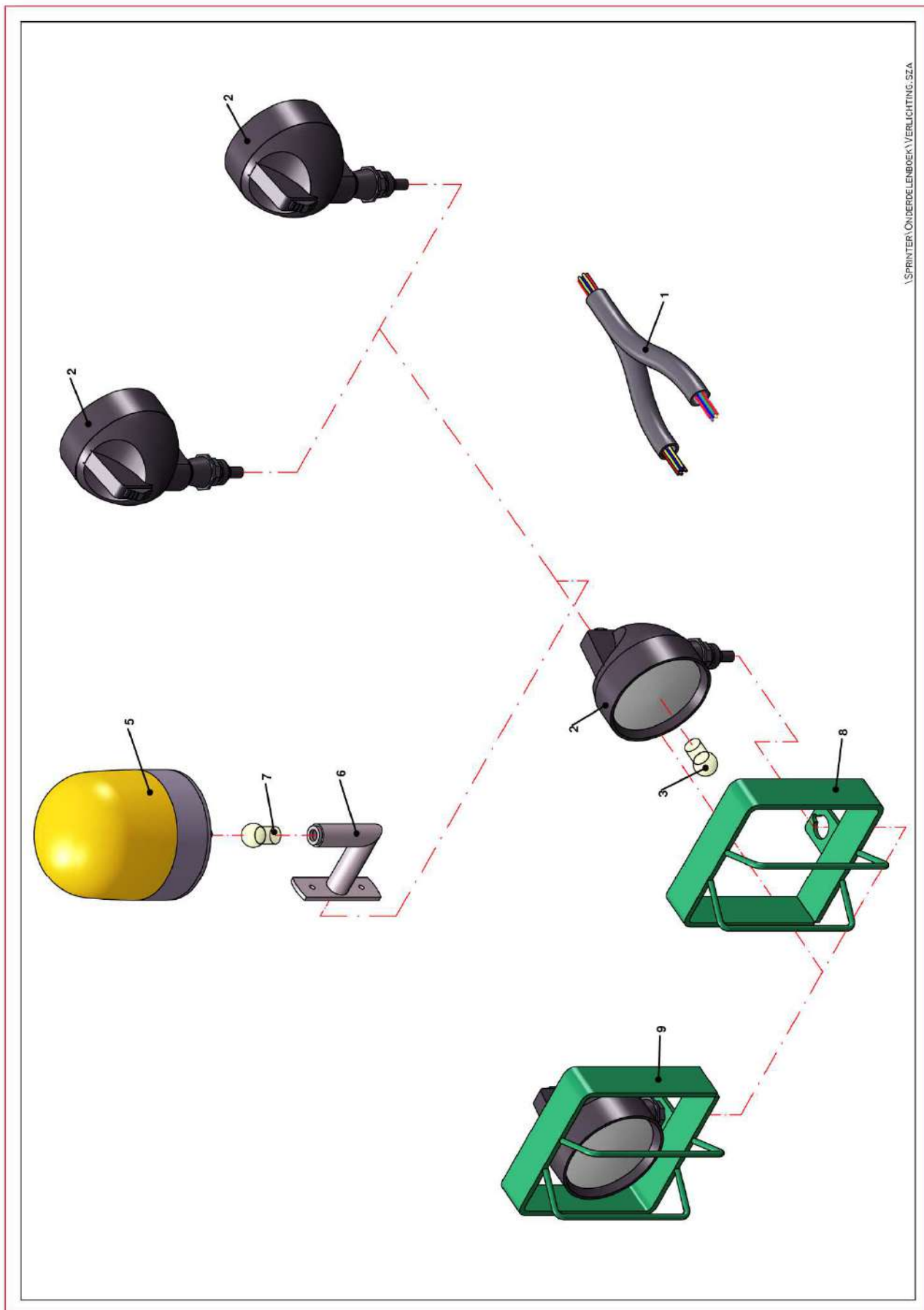


\\Sprinter\Onderdelenboek\Hydrauliek-Stuurinrichting.sza

◀ HYDRAULIC CONTROL INSTALLATION

Pos.no.	Number	Description	Item number
1	1	Orbitrol 50cc + Priority valve	PH.905603013
2	1	Threaded fitting 3/8" - 12 - 90°	H.0306
3	2	Copper ring	KR.1/2.3300
4	1	Banjo bolt 1/2"	H.1301
5	1	Threaded fitting 1/2" - 15	H.0313
6	2	Threaded fitting 3/8" - 10 - 90°	H.0305
7	1	Hydraulic hose nr.30	PH.2130
8	1	Hydraulic hose nr.29	PH.2029
9	1	Hydraulic hose nr.8	PH.2030
10	1	Hydraulic hose nr.27	PH.2027
11	1	Hydraulic hose nr.28	PH.2028
12	2	Threaded fitting 1/4" - 1/4"	H.0103
13	2	Copper ring	P12.0387
14	1	Steering cylinder	P80.2054
15	1	4-Valve block	PH.DO6DE4BACDZ180126
16	1	Threaded fitting 3/8" - 15	H.0322
17	4	Bend 90° Internal-External	P03.00052
18	2	Brass hose nipple	P03.00062
19	2	Hose internal 22mm x 150mm	P80.22150
20	1	Suction filter	P20.00018
21	1	Coupling G3/4 - 17	PH.R40903/4I
22	1	Coupling G1/2 - 13	PH.R35901/2I
23	1	Hydraulic pump 14.5cc	PH.HPLPA214DSVX6X4B0
24	1	Radiator return	PH.0018
25	1	Threaded fitting 1/2" - 12	H.0311

18 – LIGHTING & ELECTRICAL



\\SPRINTER\ONDERDELENBOEK\VERLICHTING.SZA



◀ LIGHTING & ELECTRICAL

Pos.no.	Number	Description	Item number
1	1	Wiring harness	P80.102
2	2 / 4	Operating lamp	P01.13030
3	1	Operating lamp Bulb	P01.0169
4	1	Pull switch	P01.0014.1
5	1	Flashing light	P01.13035
6	1	Flashing light support	P01.13035.1
7	1	Flashing light Bulb	P01.13031.1
8	1	Lamp bracket Left	P80.0057
9	1	Lamp bracket Right	P80.0058